

FIAT 500

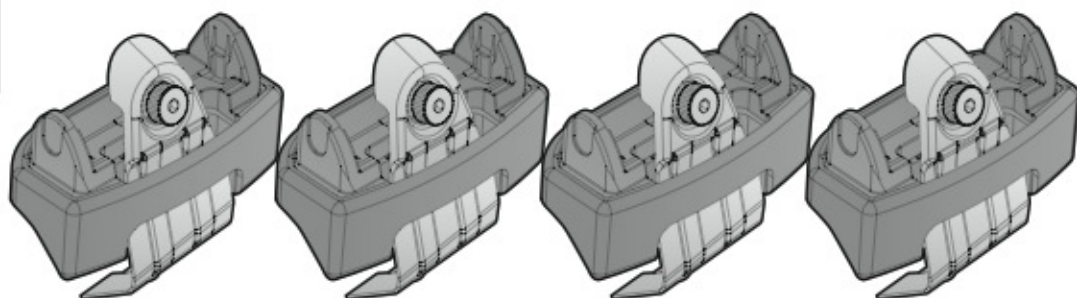
7/07 →



FIAT 500C

6/11 →

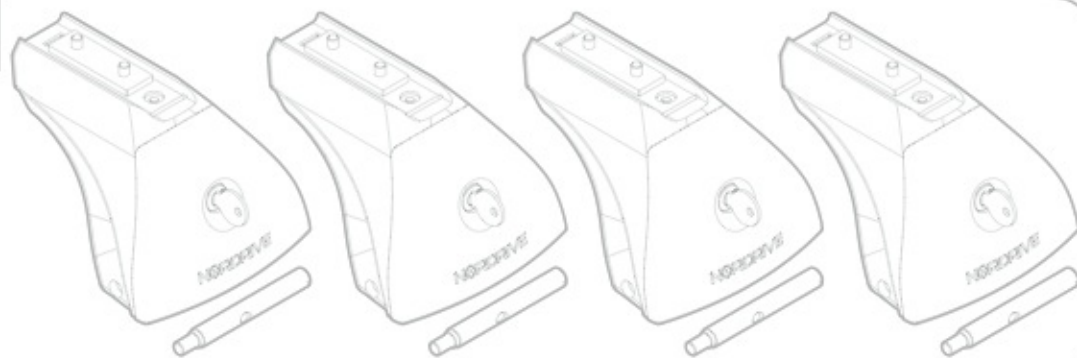
Art.
N21102



C



Art. **N20001**



B

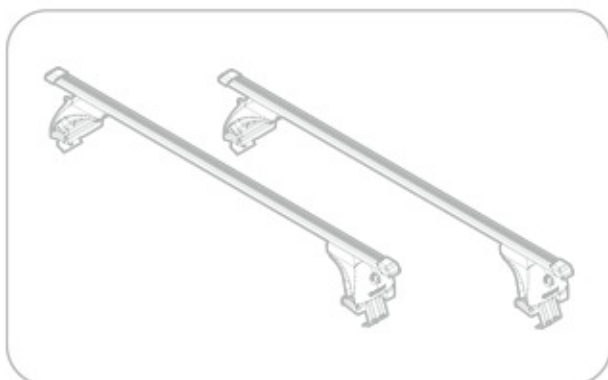


Art. **N15020**



A

ACCIAIO
Steel

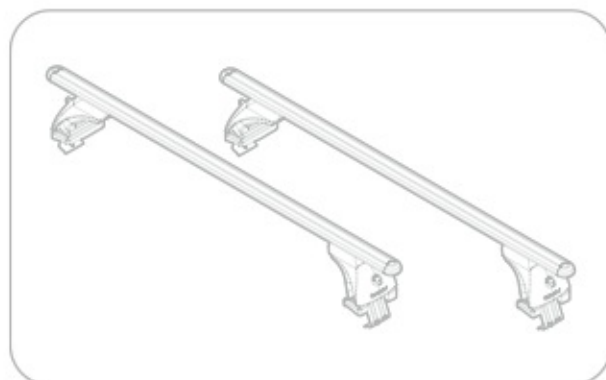


Art. **N15025**



A

ALLUMINIO
Aluminium

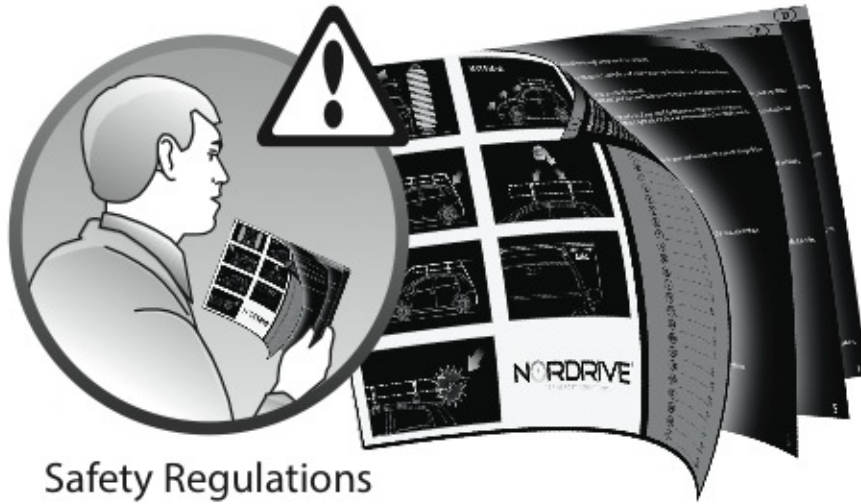
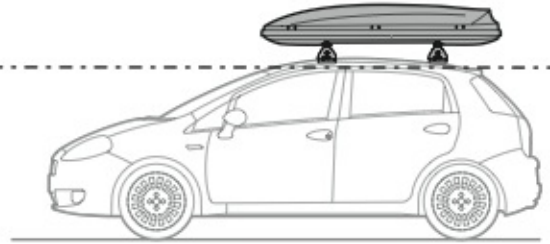




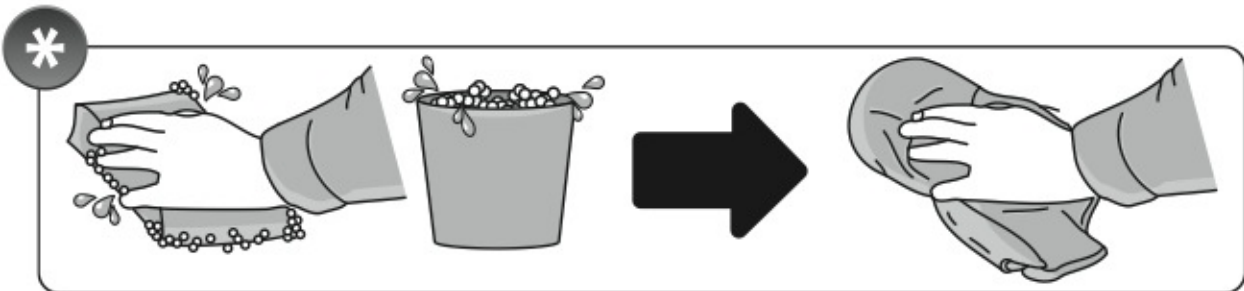
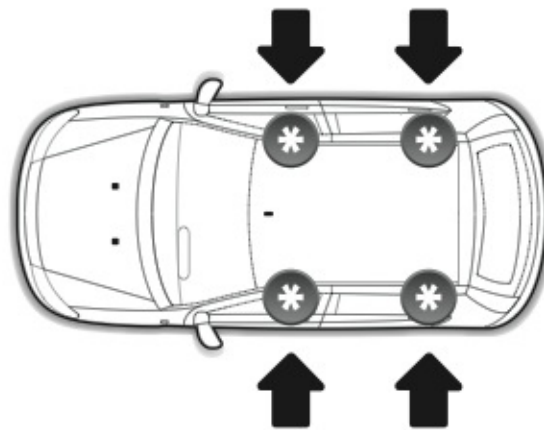
+ + = max: **60kg**



max: **???**kg



Safety Regulations





FIAT 500

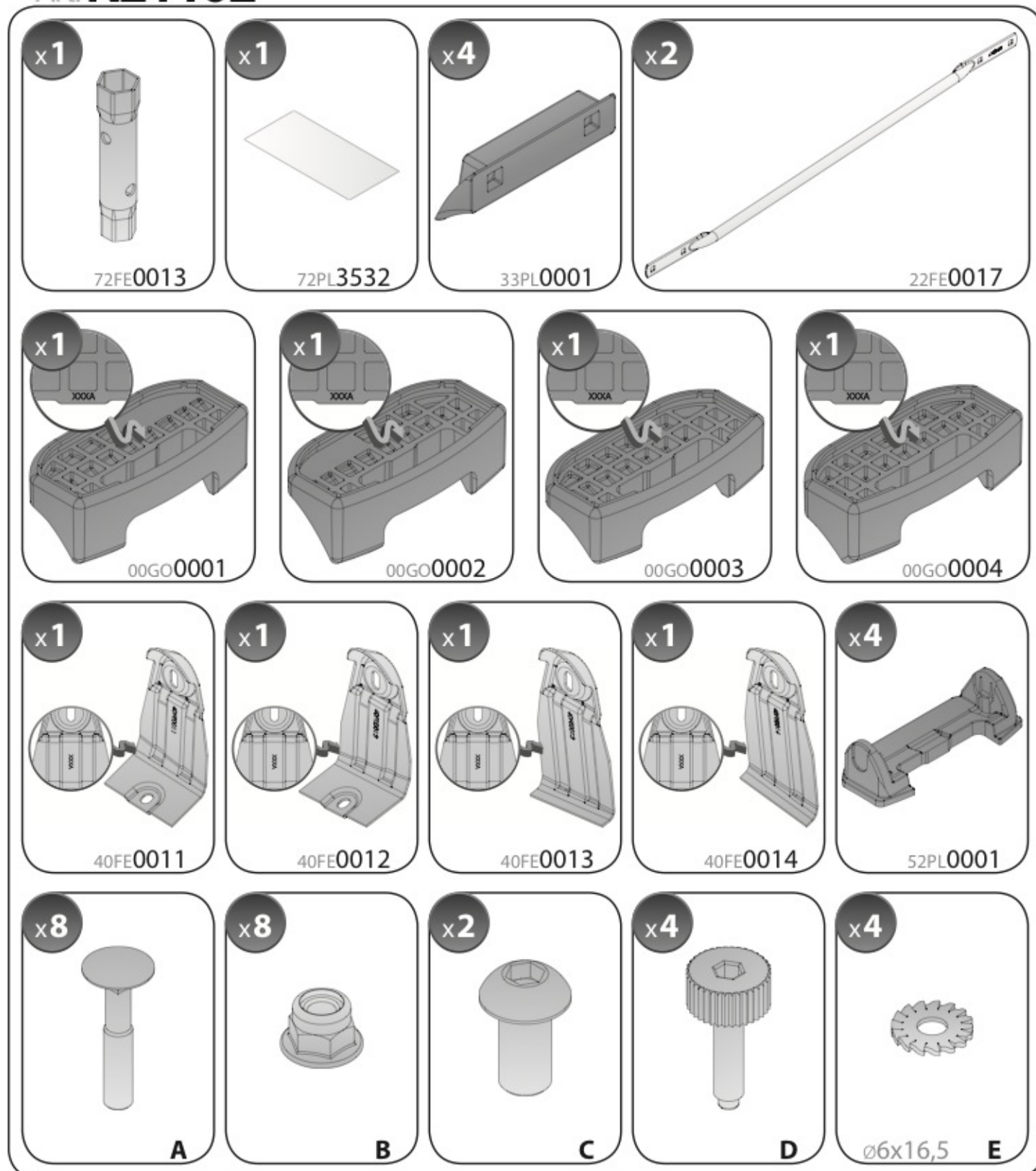
7/07→

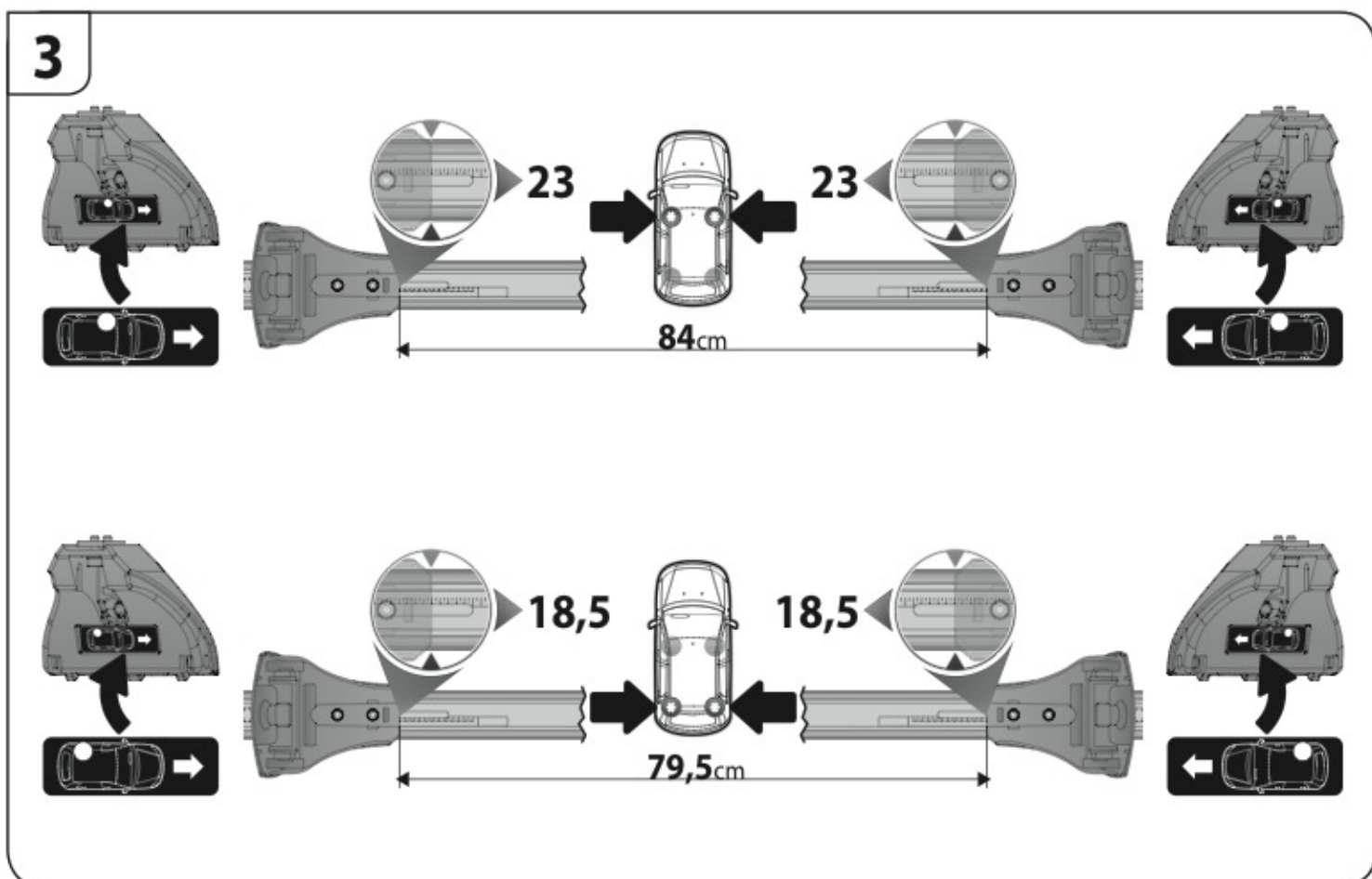
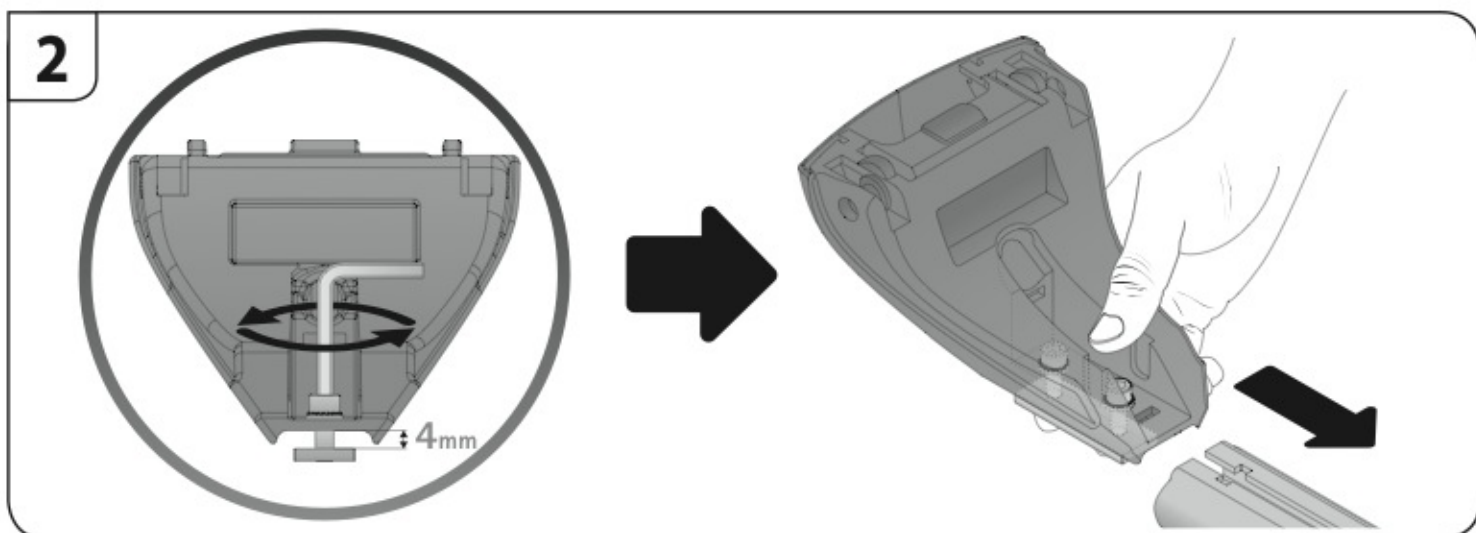
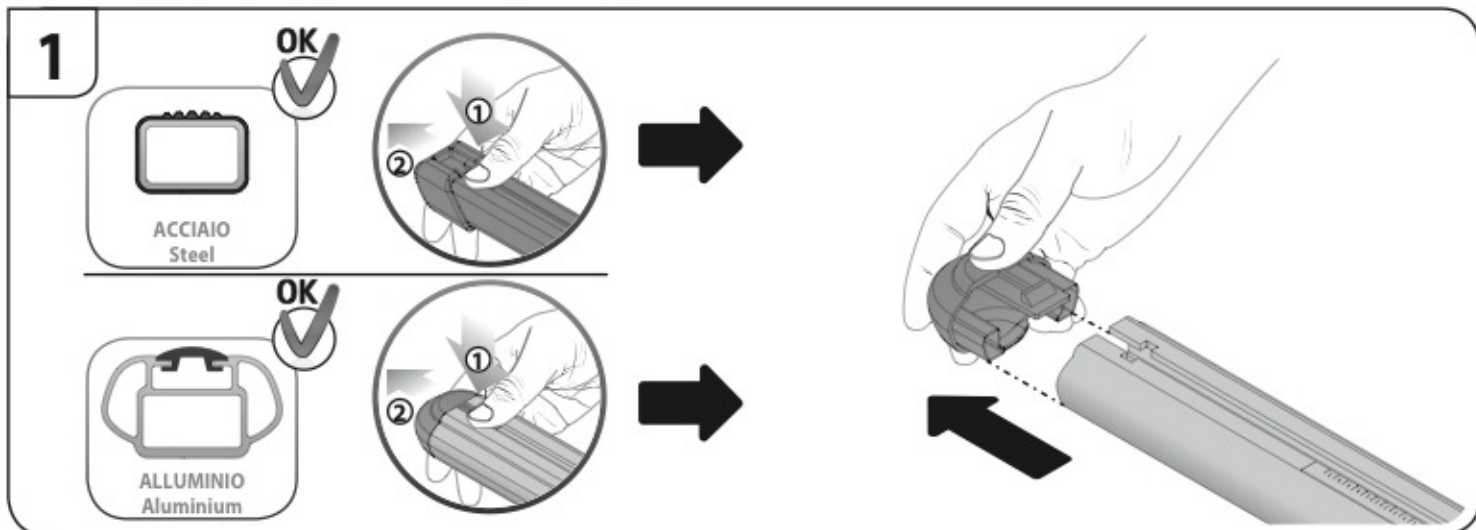


FIAT 500C

6/11→

Art. **N21102**

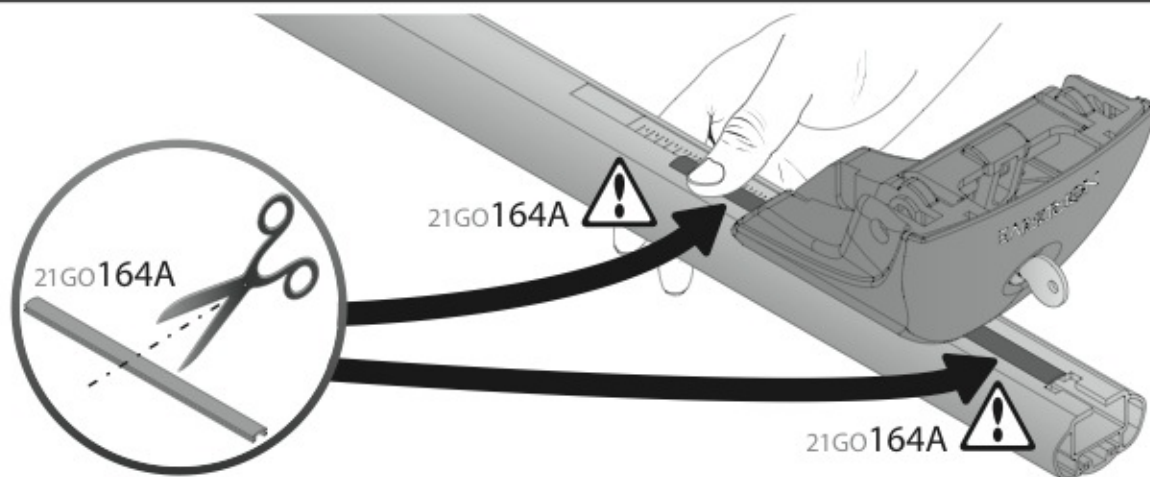




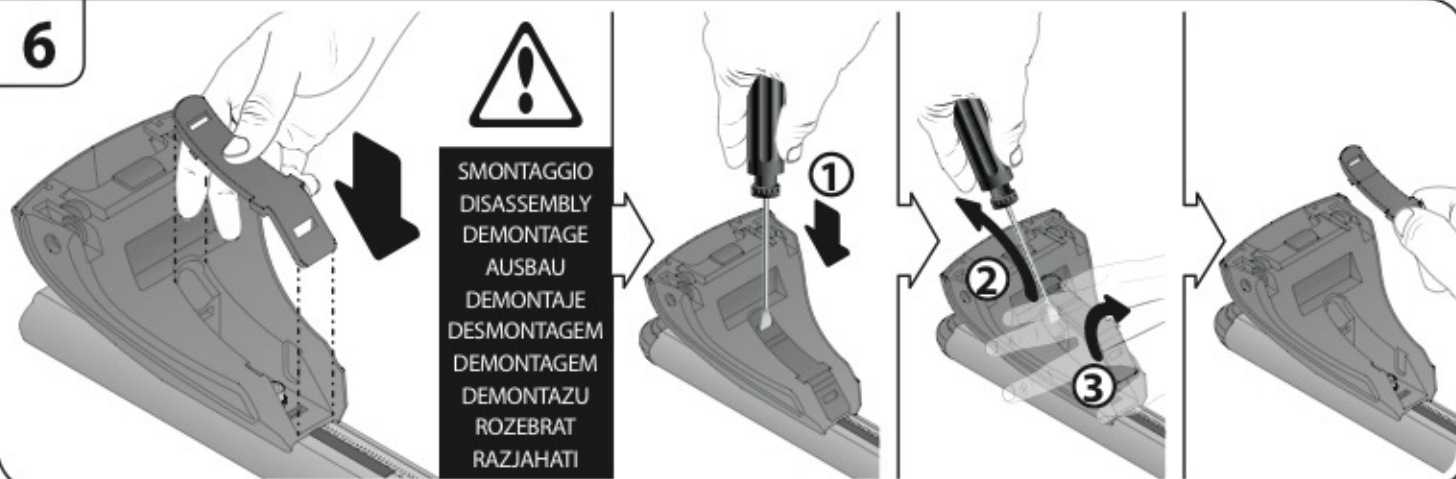
4



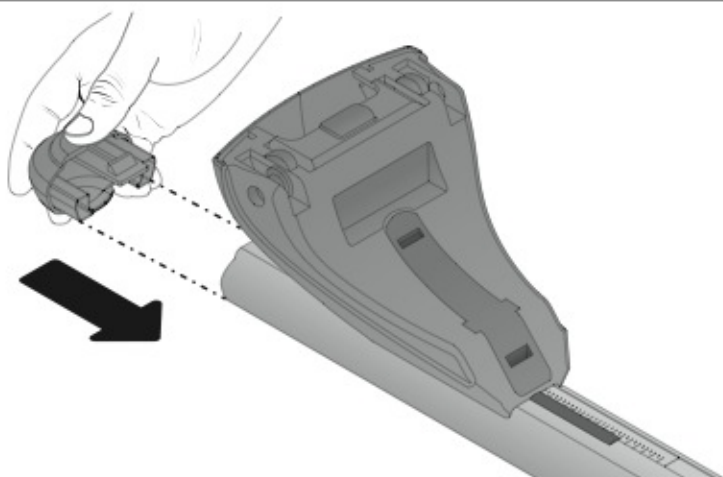
5

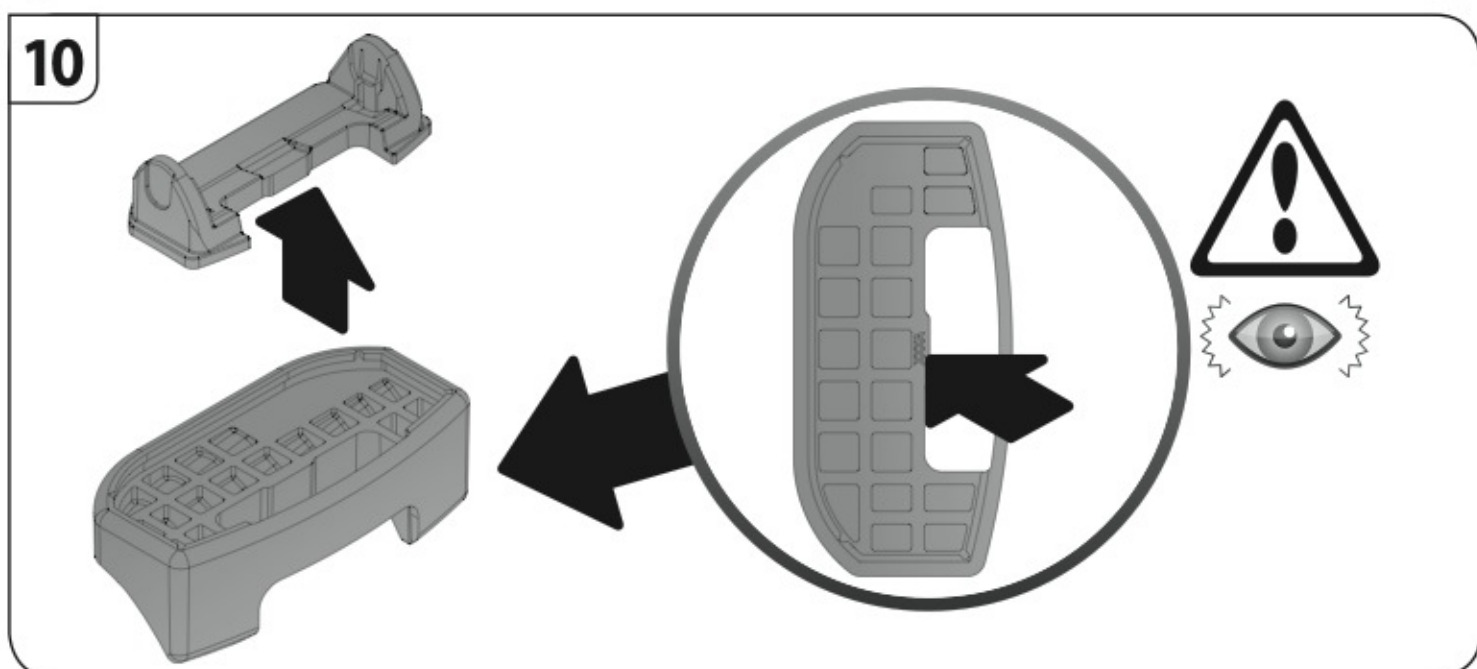
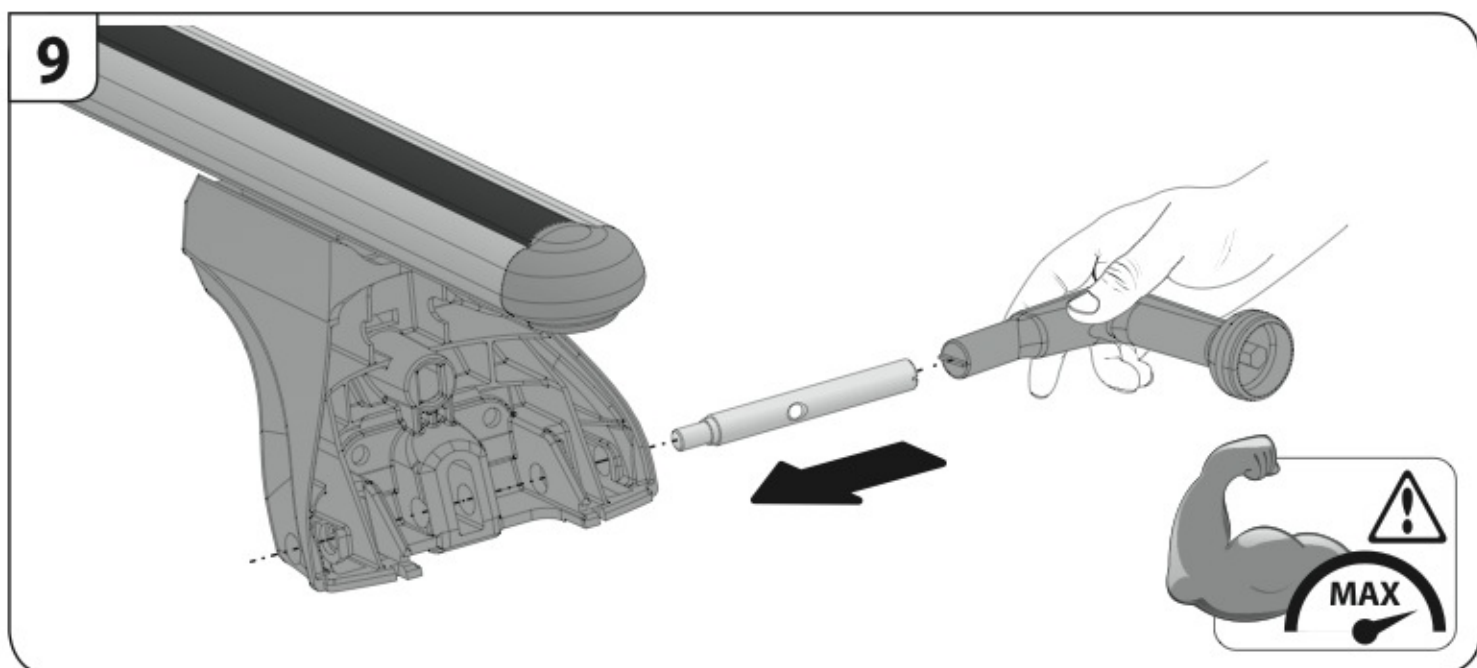
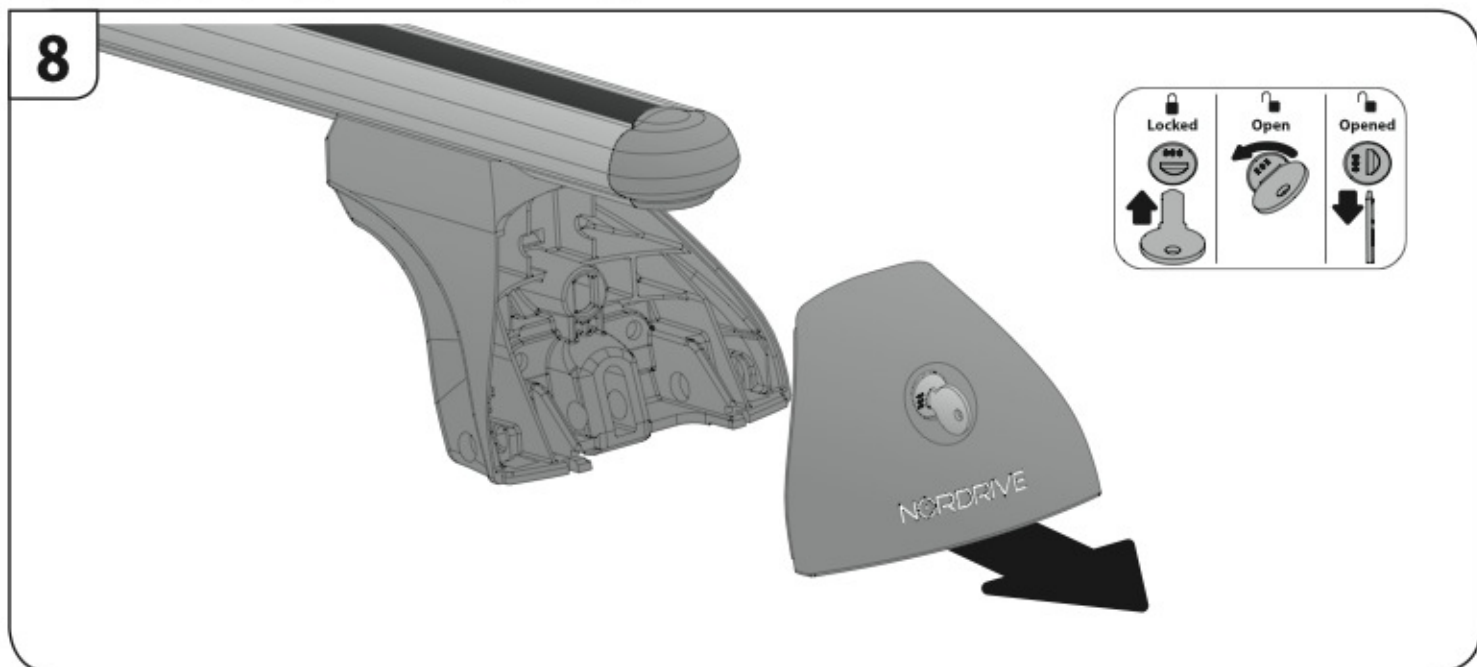


6

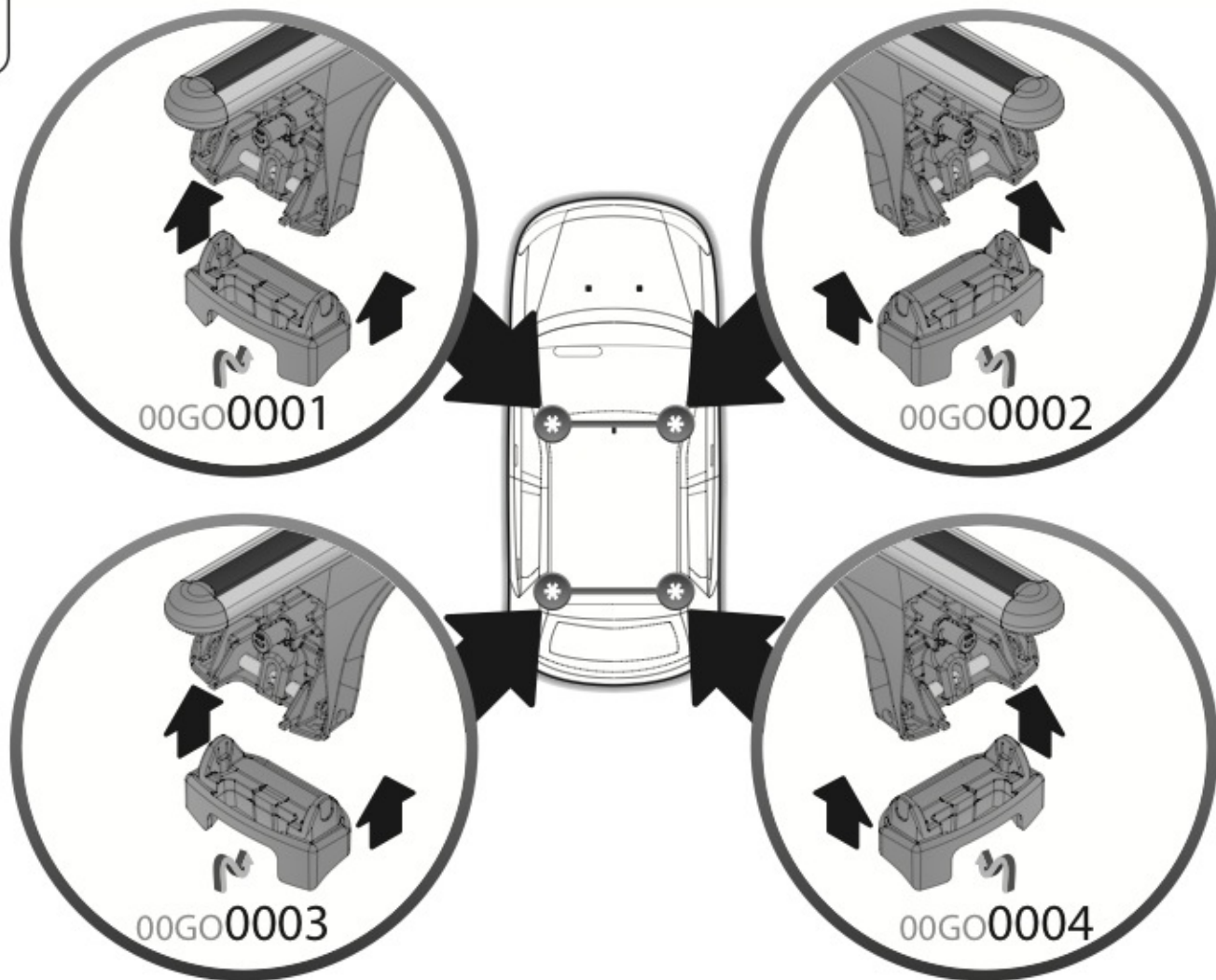


7

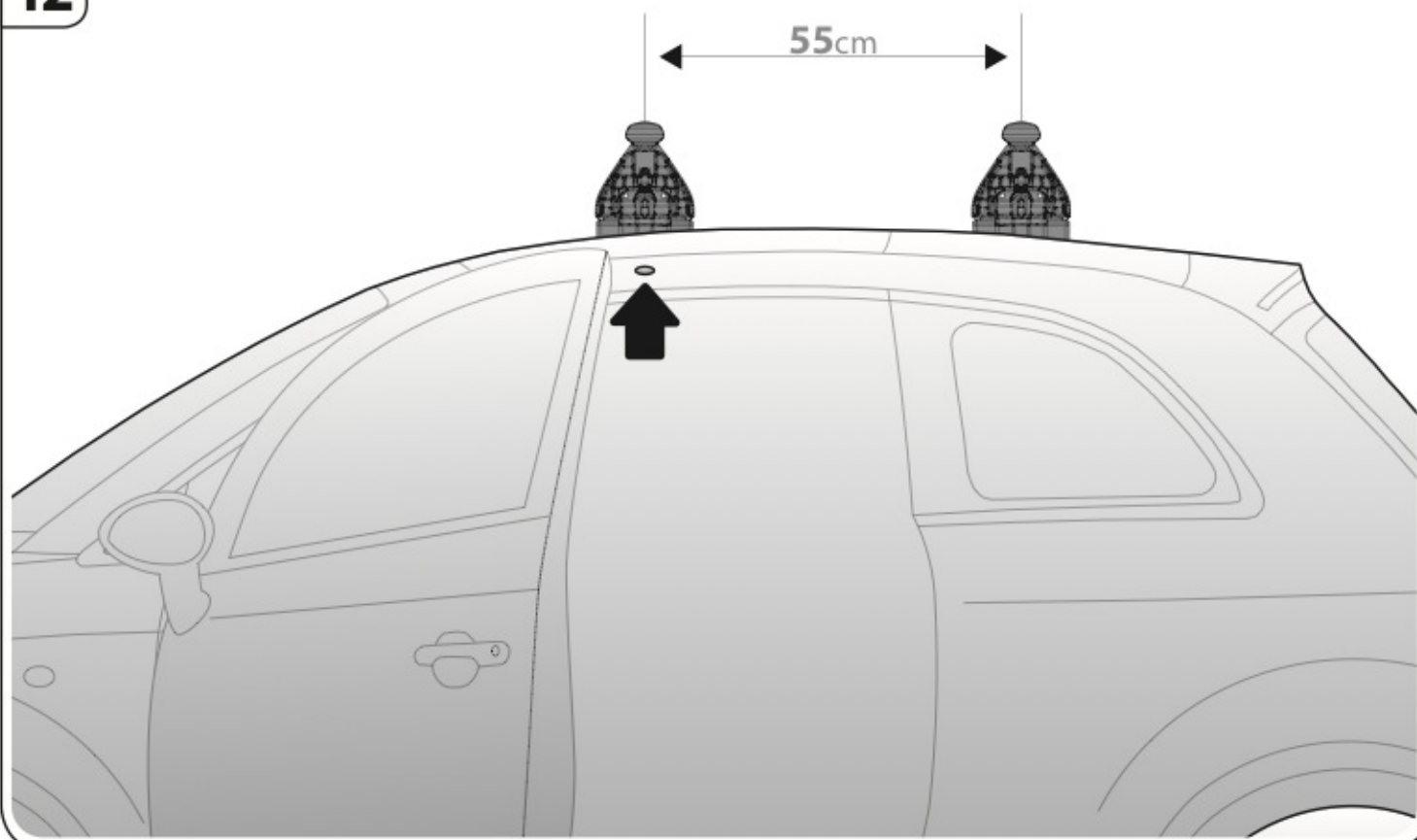




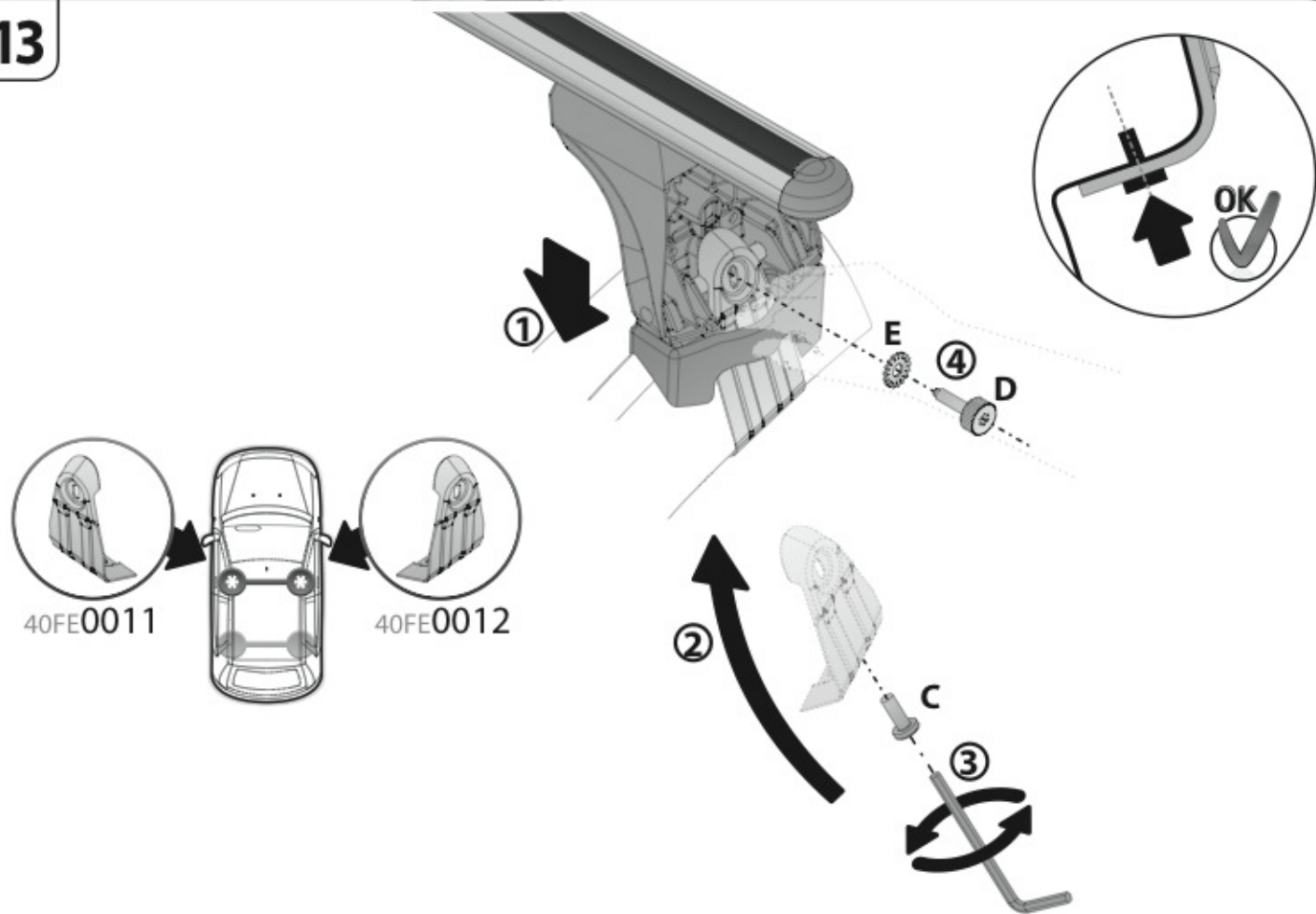
11



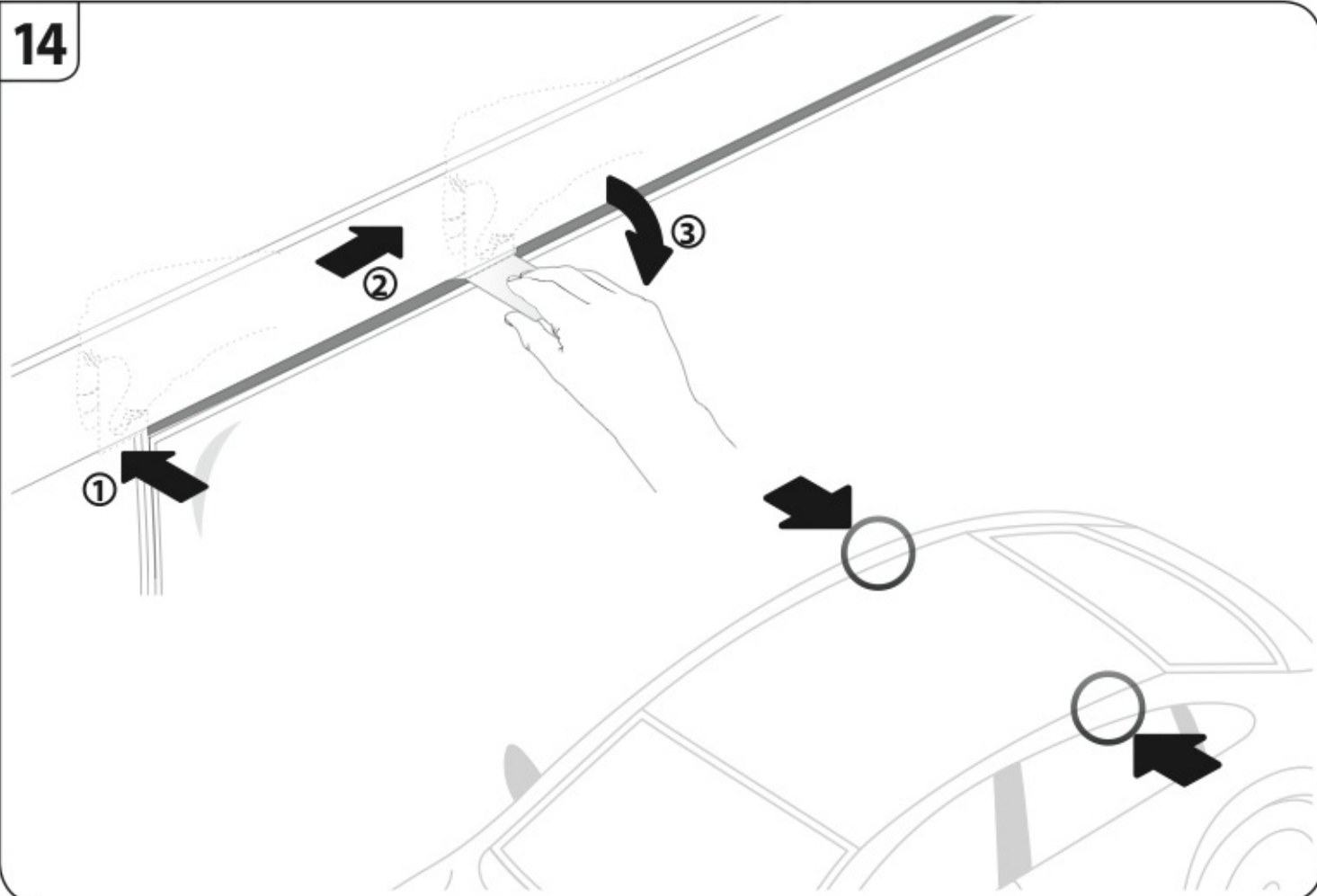
12



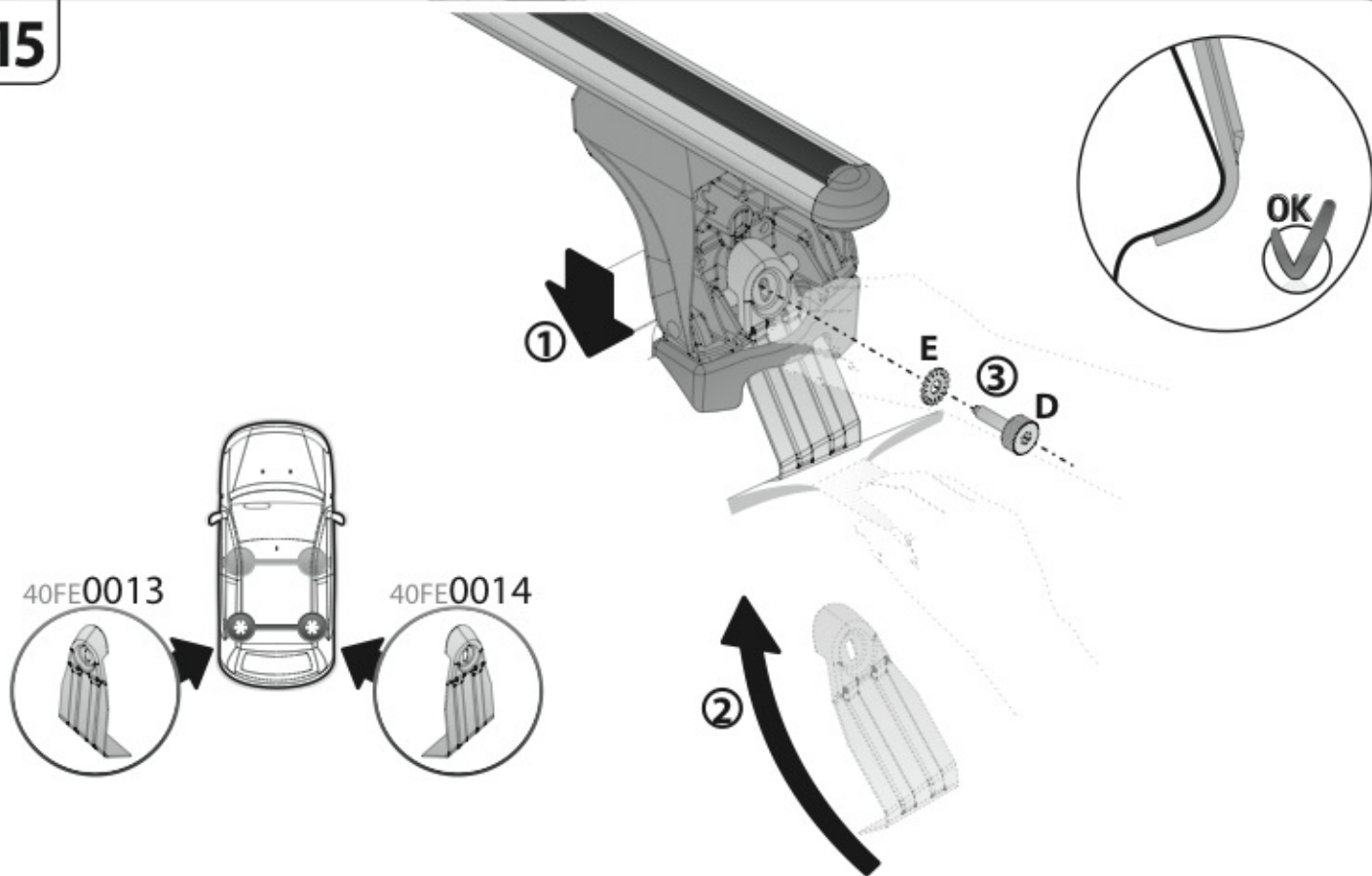
13



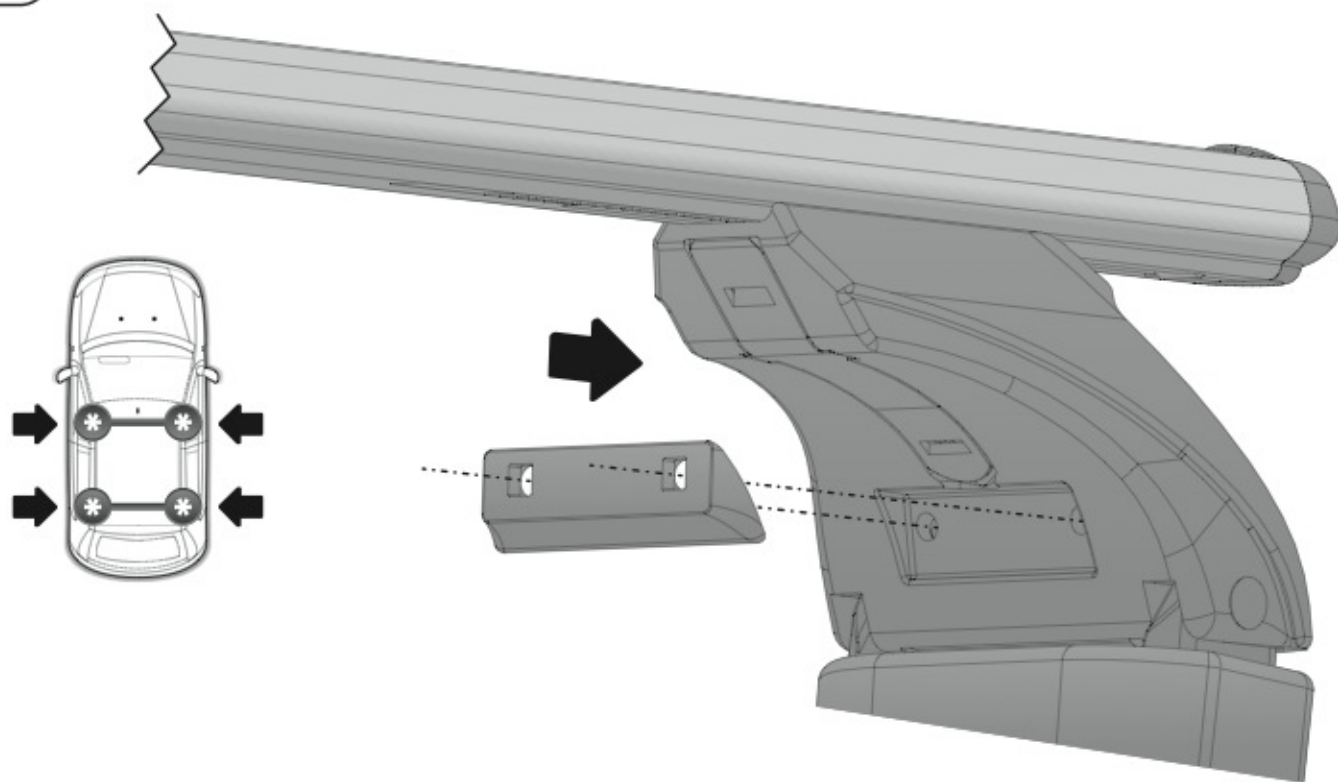
14



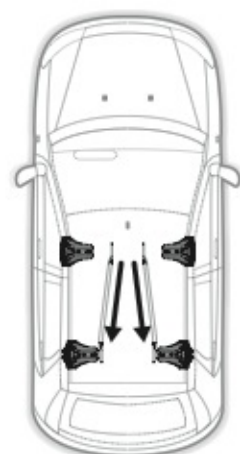
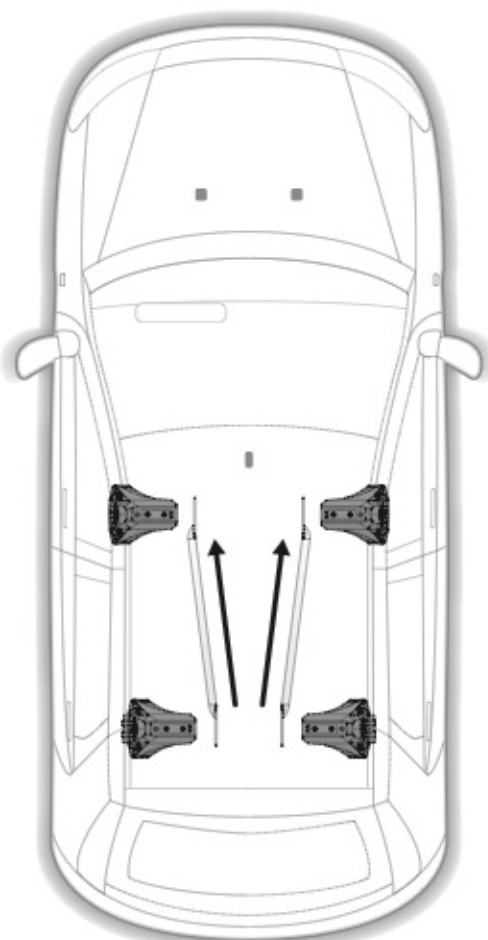
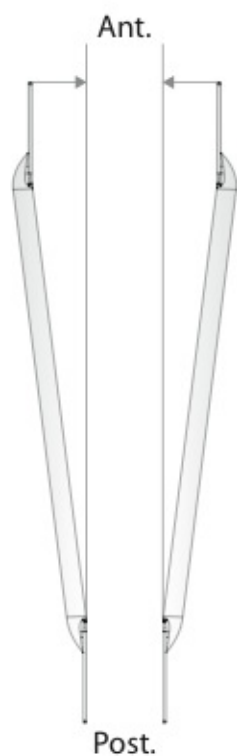
15



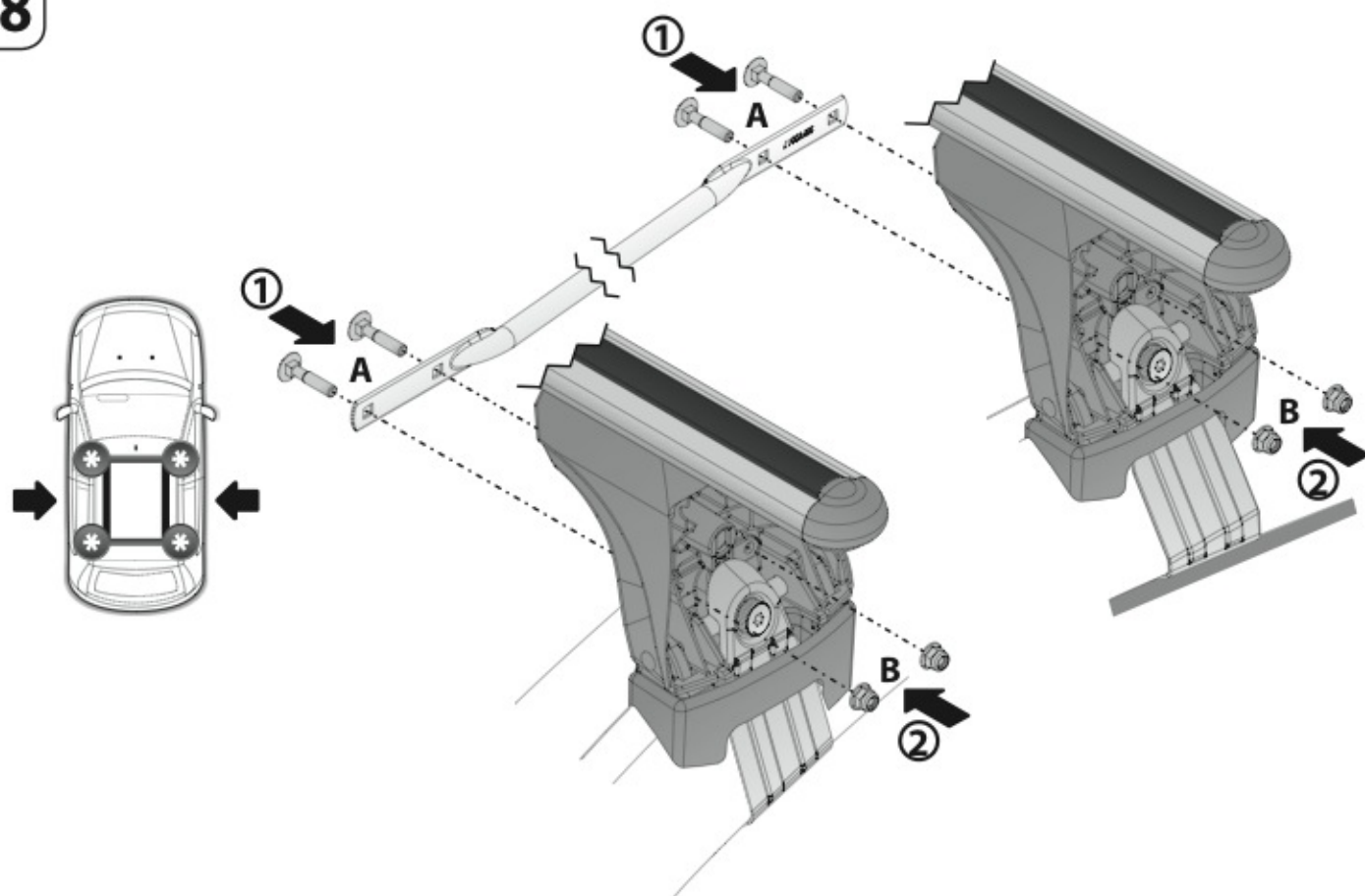
16



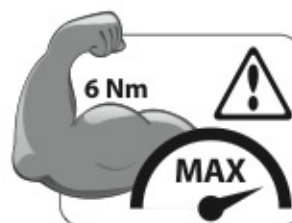
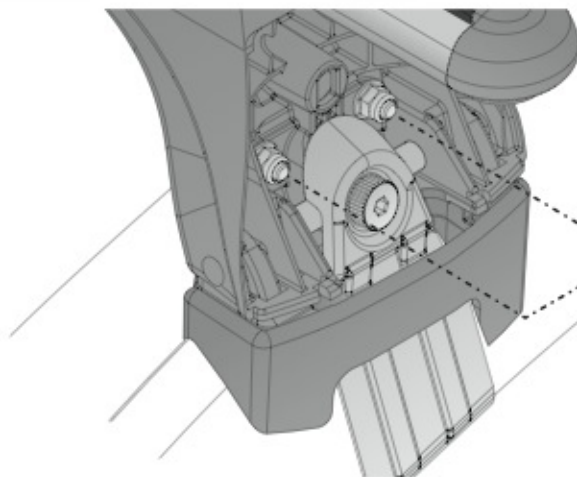
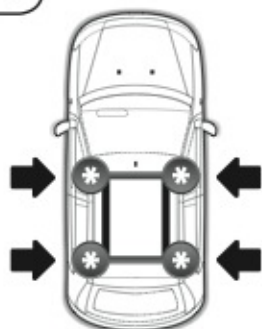
17



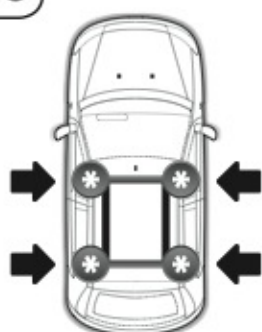
18



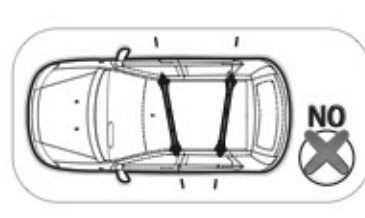
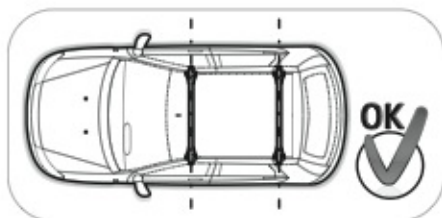
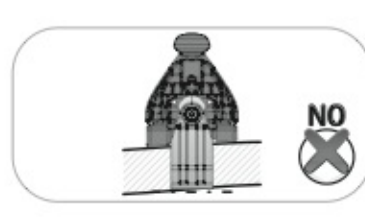
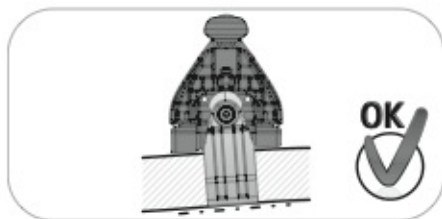
19



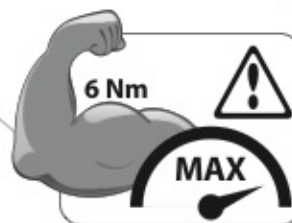
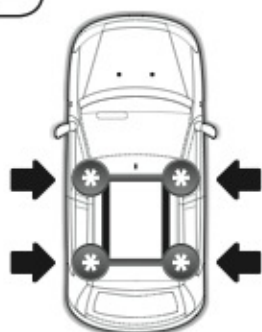
20



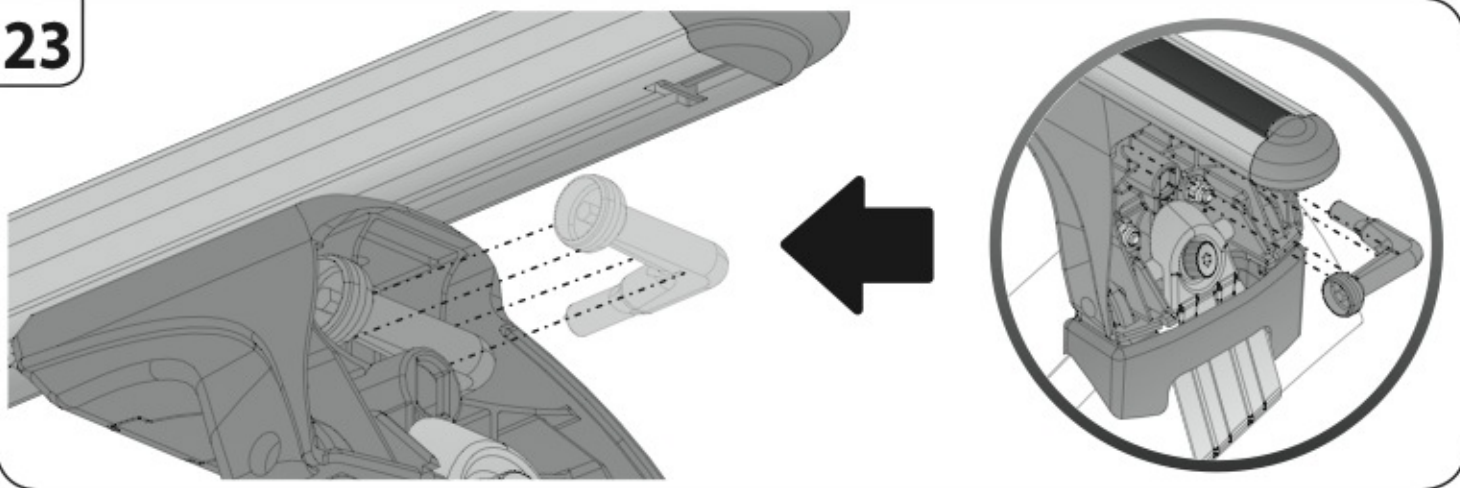
21



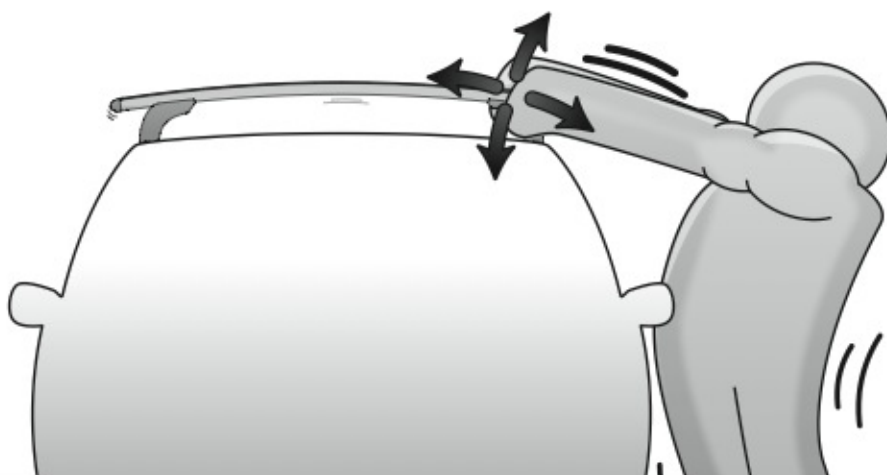
22



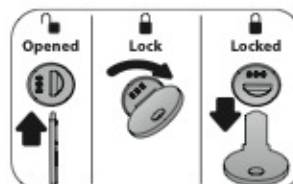
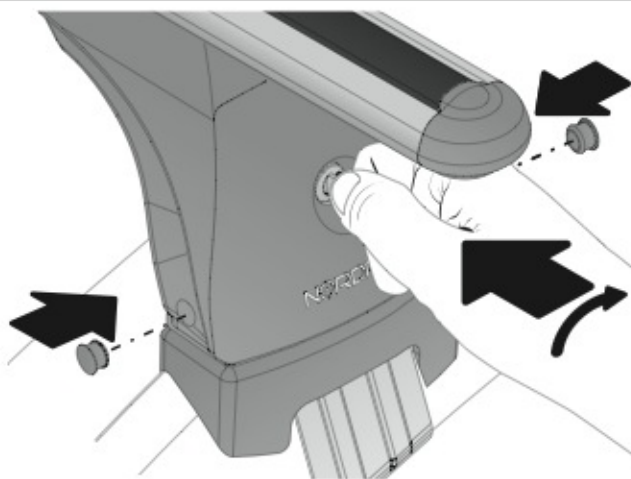
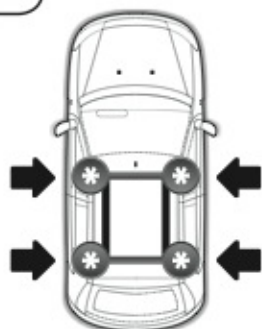
23



24



25



EVOS
 EVOLUZIONE ZERO SYSTEM

NORDRIVE[®]
 TRANSPORT SOLUTIONS

is a registered trade mark of
LAMPA S.p.A.

46019 Viadana (MN) ITALY
 Ditta certificata UNI EN ISO 9001:2008

www.nordrive.it
www.lampa.it

91CA0051 10Z