

# EVOS

## NORDDRIVE

TRANSPORT SOLUTIONS

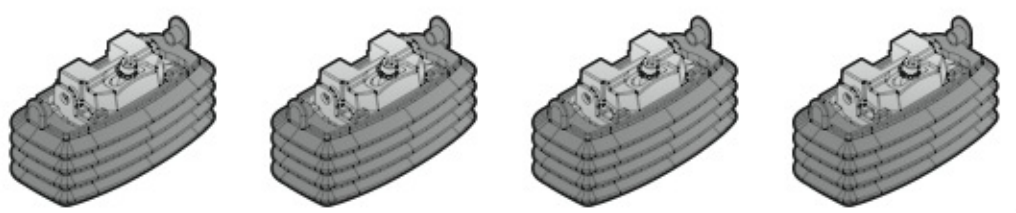
<b>BMW SERIE 1</b> (E81, E87)	9/04→6/12	<b>S</b> 108cm
<b>BMW SERIE 1</b> (E82) COUPÉ	9/07→12/13	<b>S</b> 108cm
<b>BMW SERIE 3</b> (E46) BERLINA, COMPACT, COUPÉ, TOURING (no railing)	1/98→8/06	<b>S</b> 108cm
<b>BMW SERIE 3</b> (E90) BERLINA, (E91) TOURING (no railing)	3/05→5/12	<b>M</b> 120cm
<b>BMW SERIE 5</b> (E39) BERLINA	9/95→6/03	<b>M</b> 120cm
<b>BMW SERIE 5</b> (E39) TOURING (no railing)	4/97→3/04	<b>S</b> 108cm
<b>FORD MONDEO</b> 	11/00→5/07	<b>M</b> 120cm
<b>SAAB 9.3</b> SPORTSEDAN	7/05→6/12	<b>S</b> 108cm
<b>SAAB 9.3</b> SPORTRHATCH (no railing)	7/02→6/12	<b>M</b> 120cm



Art. **N21059**

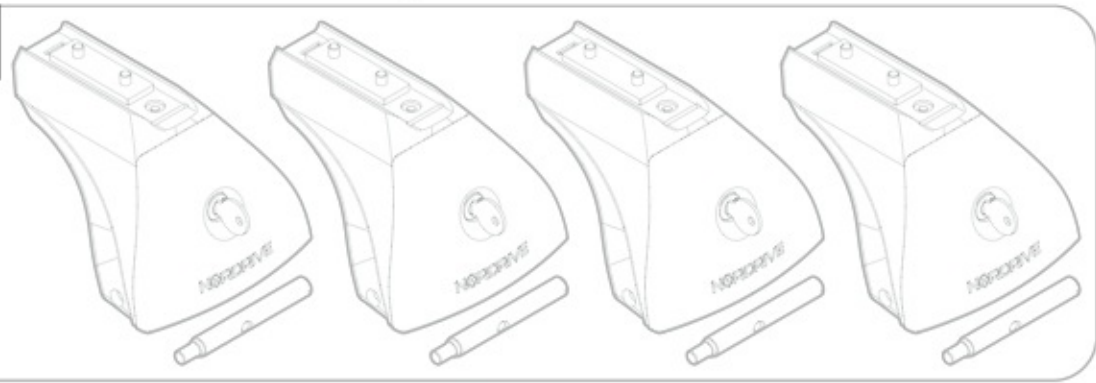


**C**



Art. **N20001**

**B**



**BMW SERIE 1** (E81, E87), **BMW SERIE 1** COUPÉ (E82), **BMW SERIE 3** (E46), **BMW SERIE 3** TOURING (E39 no railing), **SAAB 9.3** SPORTSEDAN



**BMW SERIE 3** BERLINA (E90), TOURING (E91 no railing), **BMW SERIE 3** (E39) BERLINA, **FORD MONDEO**, **SAAB 9.3** SPORTRHATCH (no railing)

Art. **N15019**

**S**

108cm

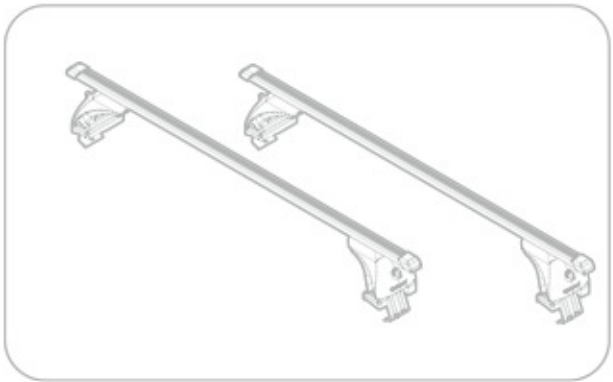
**A** ACCIAIO Steel

Art. **N15024**

**S**

108cm

**A** ALLUMINIO Aluminium



Art. **N15020**

**M**

120cm

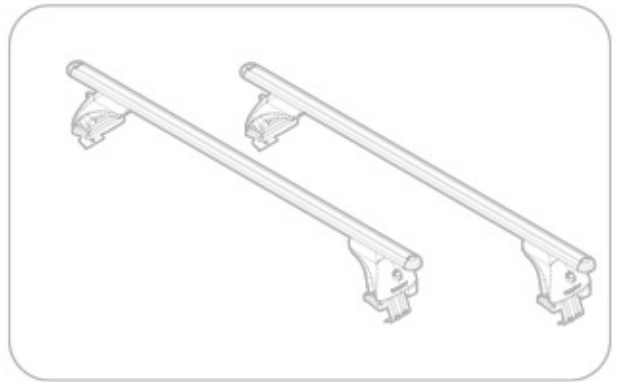
**A** ACCIAIO Steel

Art. **N15025**




**M**

120cm

**A** ALLUMINIO Aluminium



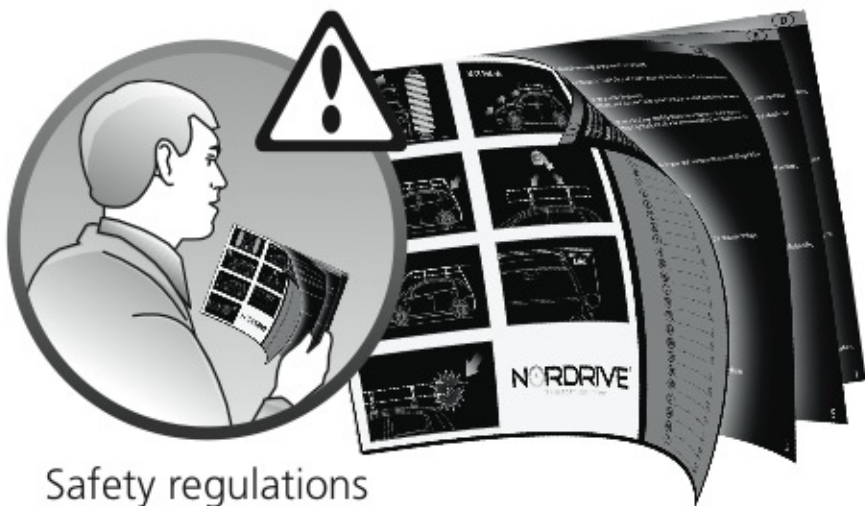
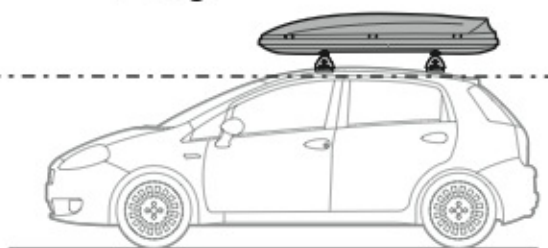


 +  +  = max: **75kg**

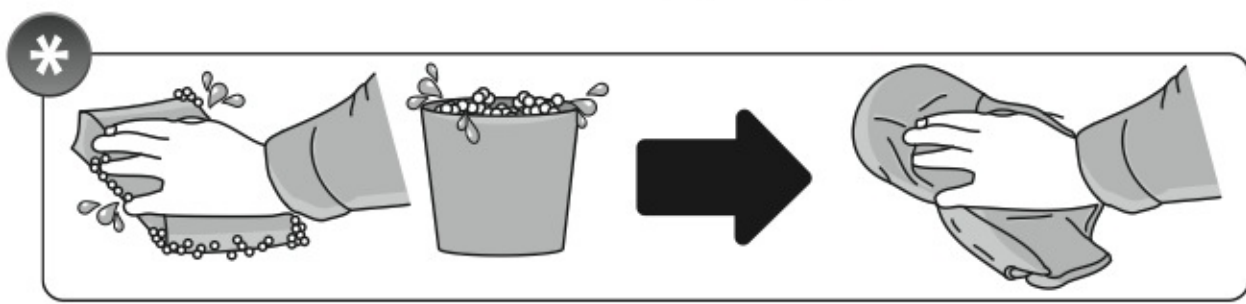
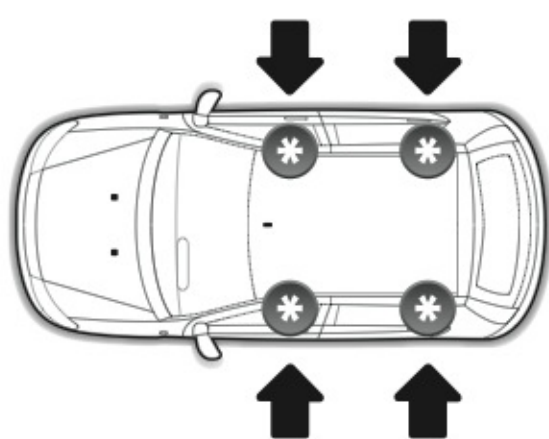
5,5kg



max: **???**kg



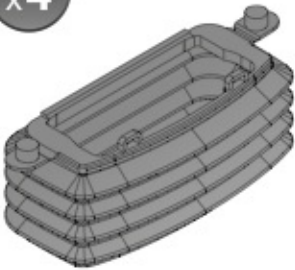
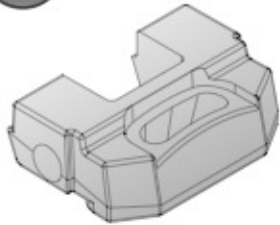
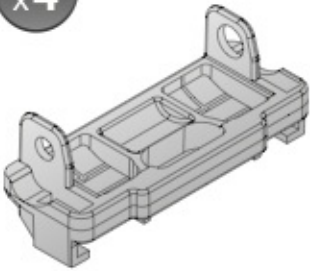
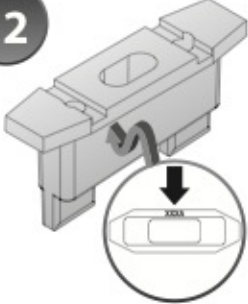
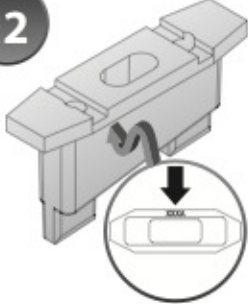
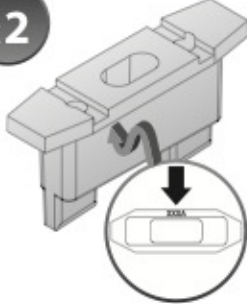
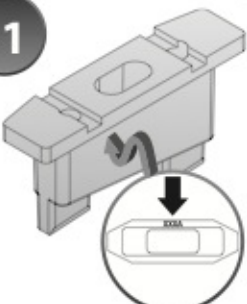
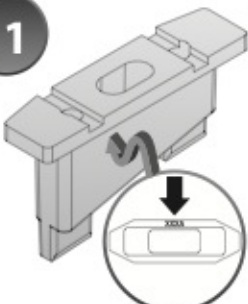







Safety regulations

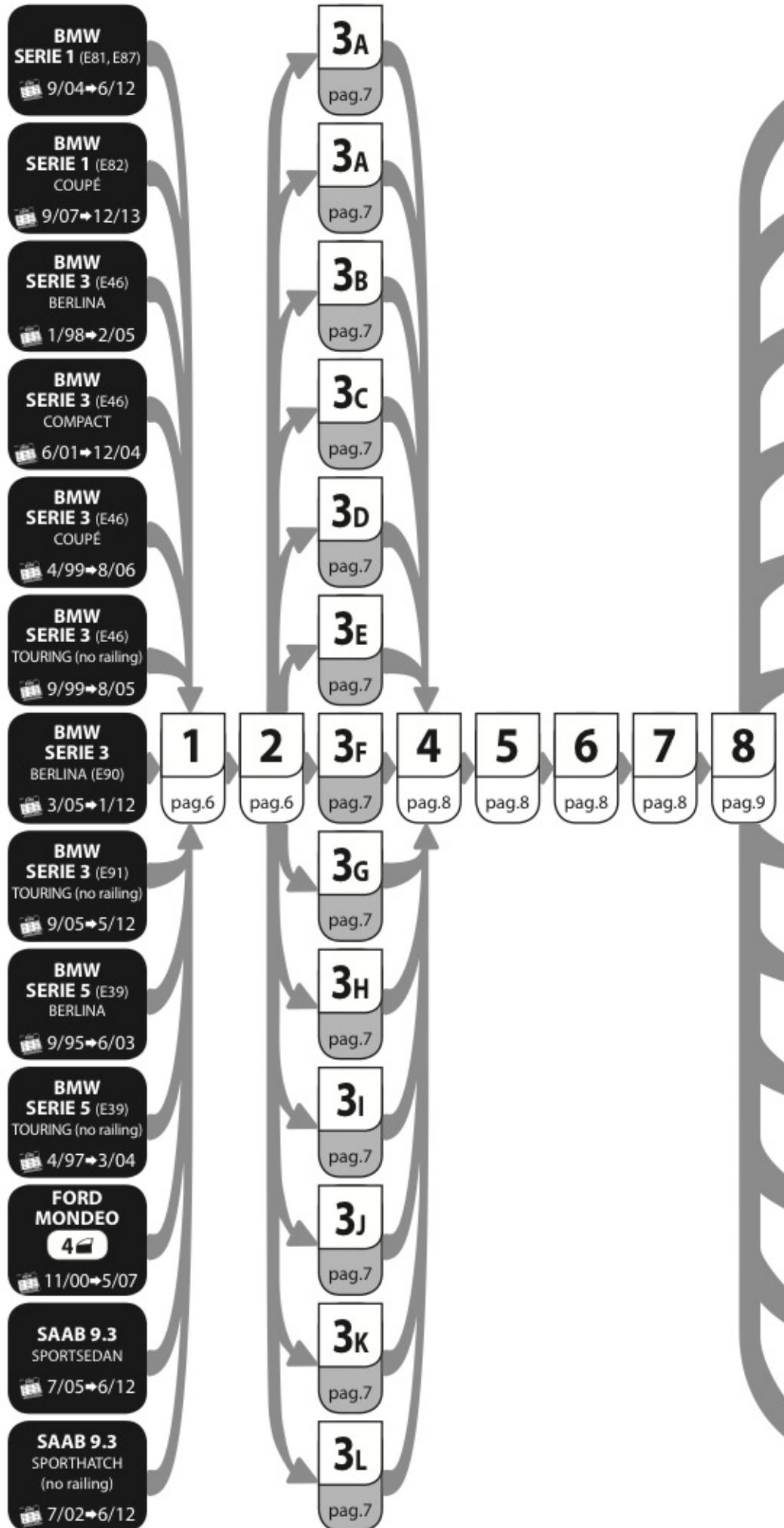




<b>BMW SERIE 1</b> (E81, E87)	9/04→6/12	<b>S</b> 108cm
<b>BMW SERIE 1</b> (E82) COUPÉ	9/07→12/13	<b>S</b> 108cm
<b>BMW SERIE 3</b> (E46) BERLINA, COMPACT, COUPÉ, TOURING (no railing)	1/98→8/06	<b>S</b> 108cm
<b>BMW SERIE 3</b> (E90) BERLINA, (E91) TOURING (no railing)	3/05→5/12	<b>M</b> 120cm
<b>BMW SERIE 5</b> (E39) BERLINA	9/95→6/03	<b>M</b> 120cm
<b>BMW SERIE 5</b> (E39) TOURING (no railing)	4/97→3/04	<b>S</b> 108cm
<b>FORD MONDEO</b> 	11/00→5/07	<b>M</b> 120cm
<b>SAAB 9.3</b> SPORTSEDAN	7/05→6/12	<b>S</b> 108cm
<b>SAAB 9.3</b> SPORThATCH (no railing)	7/02→6/12	<b>M</b> 120cm

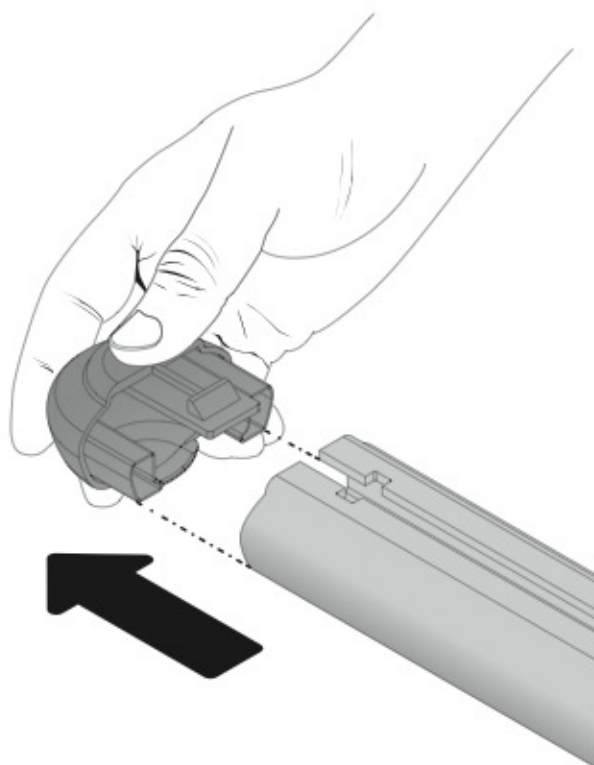
# Art. N21059

<b>x4</b>  74GO096A	<b>x4</b>  52PL108A		
<b>x4</b>  52PL140A	<b>x2</b>  00PL313A	<b>x2</b>  00PL316A	<b>x2</b>  00PL317A
<b>x1</b>  00PL364A	<b>x1</b>  00PL365A	<b>x2</b>  60 mm M6x60 <b>A</b>	<b>x4</b>  70 mm M6x70 <b>B</b>
<b>x4</b>  75 mm M6x75 <b>C</b>	<b>x4</b>  80 mm M6x80 <b>D</b>	<b>x2</b>  90 mm M6x90 <b>E</b>	<b>x4</b>  <b>F</b>
			<b>x4</b>  15 mm ø6x15 <b>G</b>

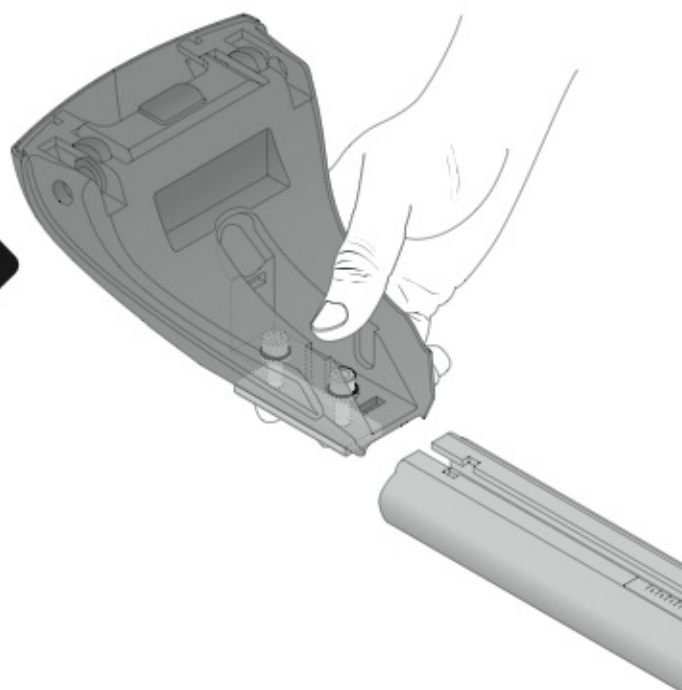
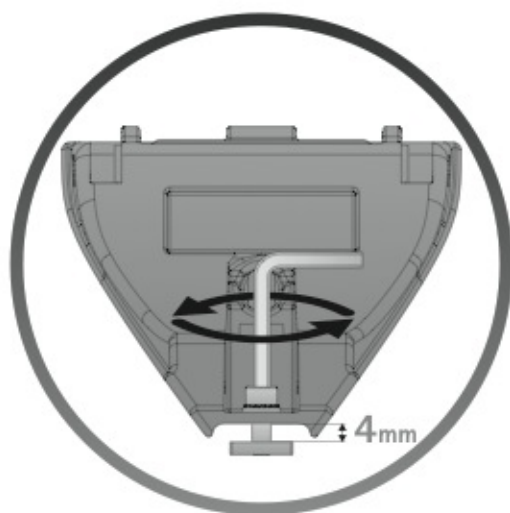




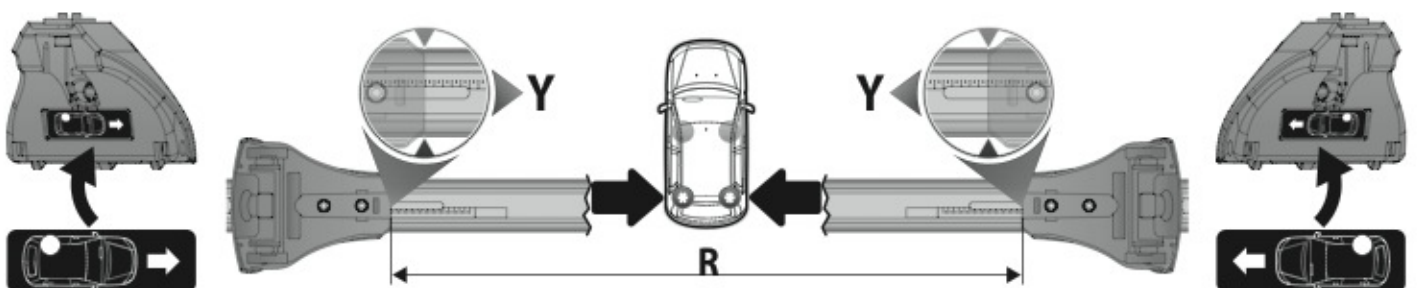
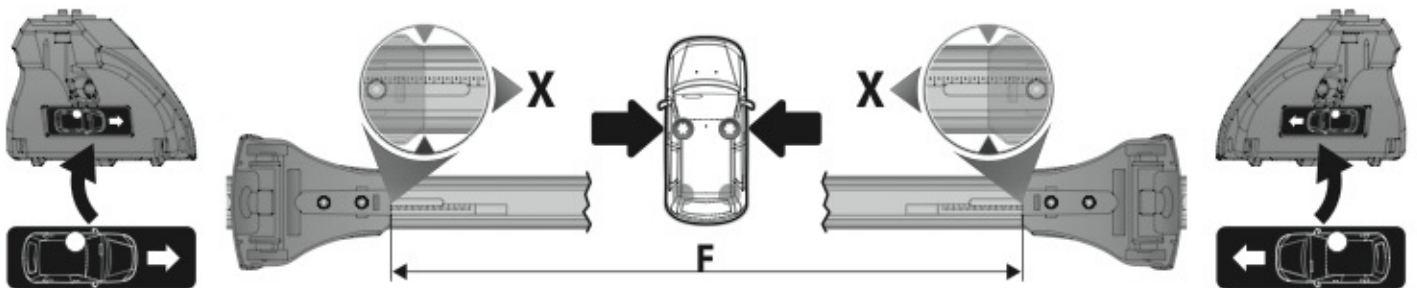
1

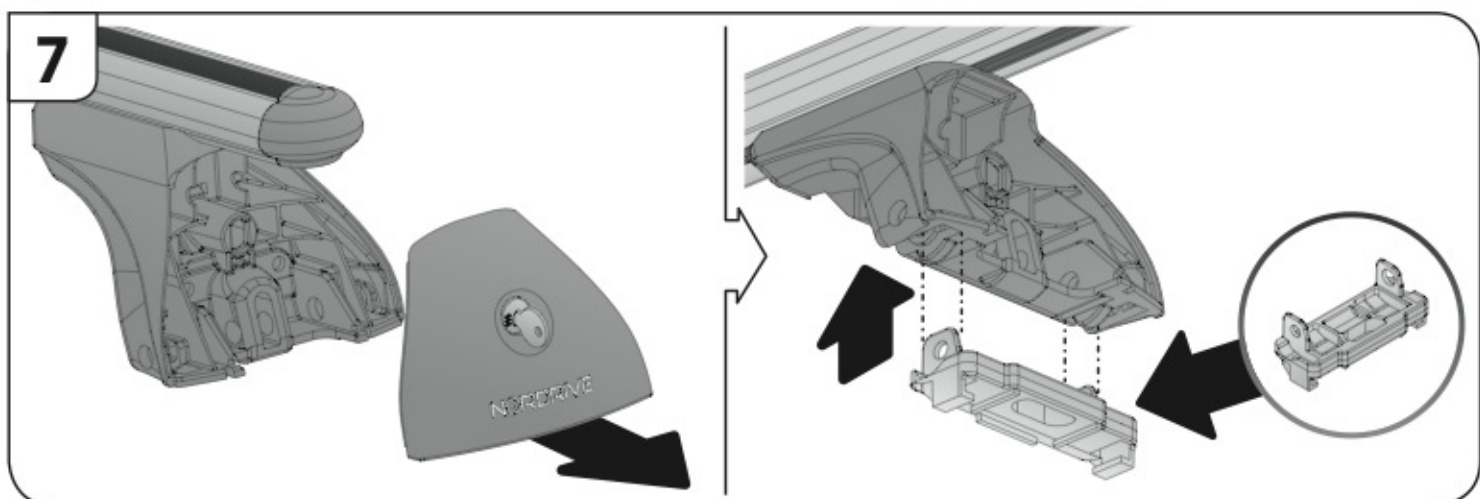
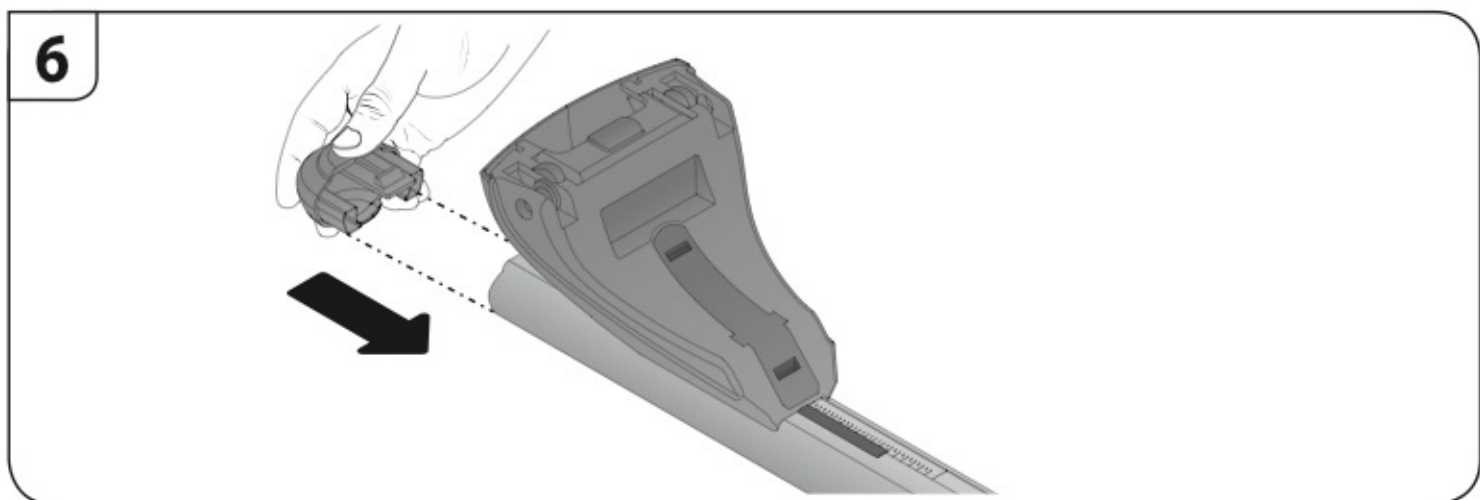
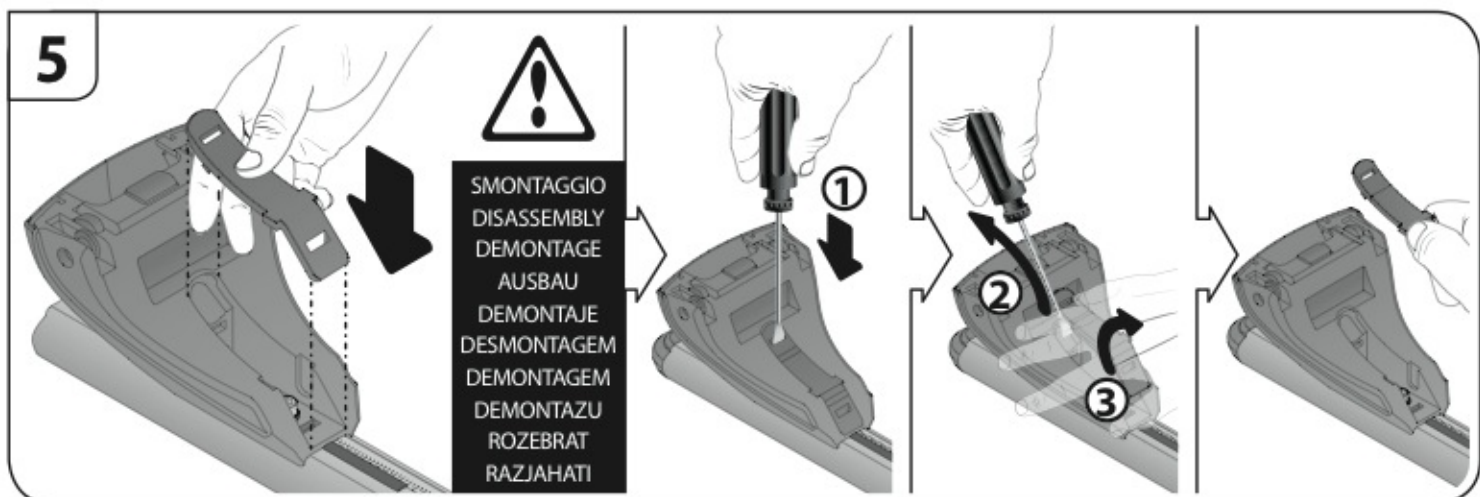
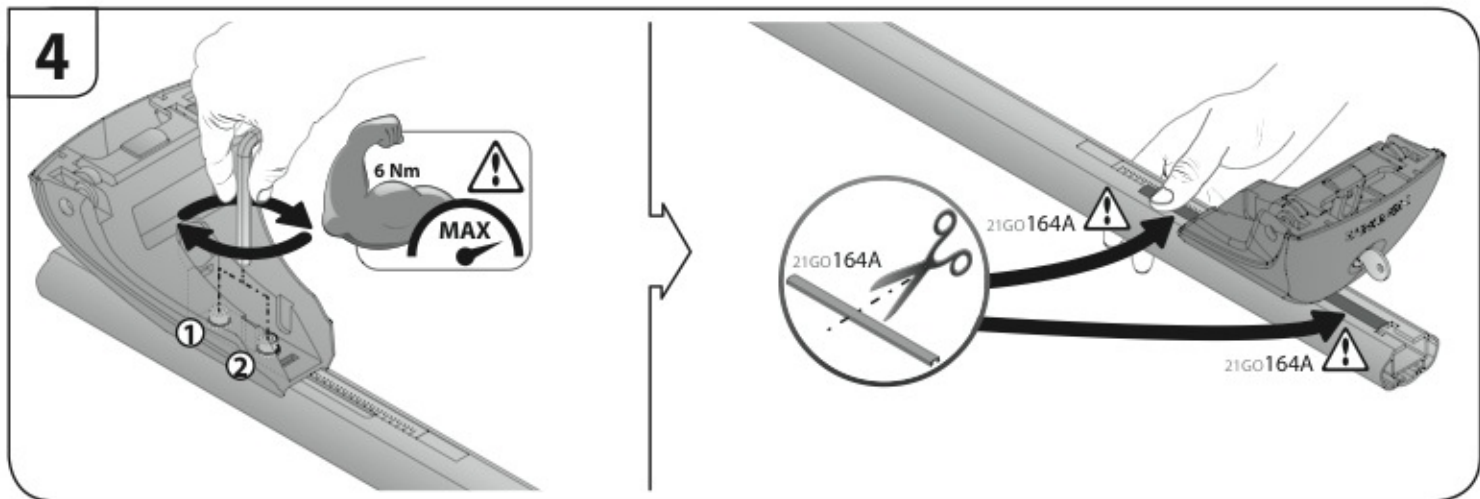


2



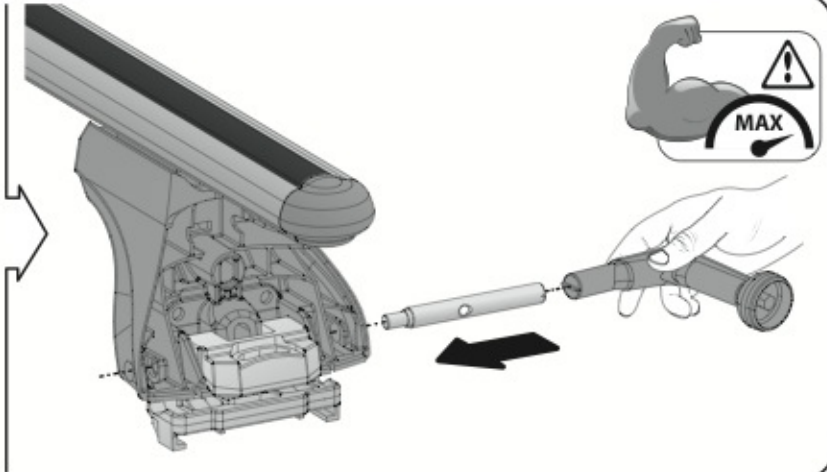
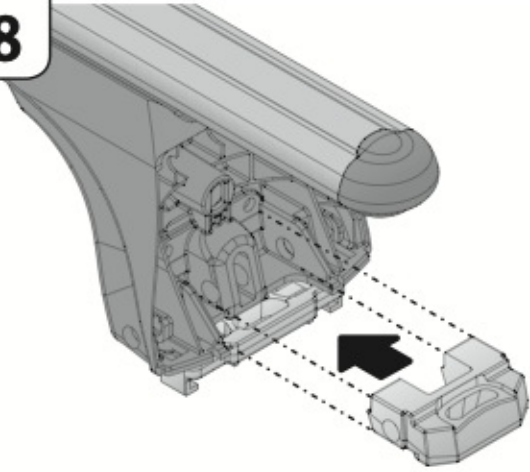
<b>3A</b>	<b>BMW SERIE 1</b> (E81, E87) <b>BMW SERIE 1</b> (E82) COUPÉ	9/04→6/12 9/07→12/13	<b>17</b> (F = 78cm)	<b>13,5</b> (F = 74,5cm)	<b>S</b> 108cm
<b>3B</b>	<b>BMW SERIE 3</b> (E46) BERLINA	1/98→2/05	<b>14</b> (F = 75cm)	<b>12,5</b> (F = 73,5cm)	<b>S</b> 108cm
<b>3C</b>	<b>BMW SERIE 3</b> (E46) COMPACT	6/01→12/04	<b>15</b> (F = 76cm)	<b>13</b> (F = 74cm)	<b>S</b> 108cm
<b>3D</b>	<b>BMW SERIE 3</b> (E46) COUPÉ	4/99→8/06	<b>11,5</b> (F = 72,5cm)	<b>13,5</b> (F = 74,5cm)	<b>S</b> 108cm
<b>3E</b>	<b>BMW SERIE 3</b> (E46) TOURING (no railing)	9/99→8/05	<b>14</b> (F = 75cm)	<b>10,5</b> (F = 71,5cm)	<b>S</b> 108cm
<b>3F</b>	<b>BMW SERIE 3</b> (E90) BERLINA	3/05→1/12	<b>19,5</b> (F = 80,5cm)	<b>19</b> (F = 80cm)	<b>M</b> 120cm
<b>3G</b>	<b>BMW SERIE 3</b> (E91) TOURING (no railing)	9/05→5/12	<b>19,5</b> (F = 80,5cm)	<b>18,5</b> (F = 79,5cm)	<b>S</b> 108cm
<b>3H</b>	<b>BMW SERIE 5</b> (E39) BERLINA	9/95→6/03	<b>18,5</b> (F = 79,5cm)	<b>16</b> (F = 77cm)	<b>M</b> 120cm
<b>3I</b>	<b>BMW SERIE 5</b> (E39) TOURING (no railing)	4/97→3/04	<b>18,5</b> (F = 79,5cm)	<b>14</b> (F = 75cm)	<b>S</b> 108cm
<b>3J</b>	<b>FORD MONDEO</b>	11/00→5/07	<b>19,5</b> (F = 80,5cm)	<b>17,5</b> (F = 78,5cm)	<b>M</b> 120cm
<b>3K</b>	<b>SAAB 9.3</b> SPORTSEDAN	7/05→6/12	<b>25,5</b> (F = 86,5cm)	<b>22</b> (F = 83cm)	<b>S</b> 108cm
<b>3L</b>	<b>SAAB 9.3</b> SPORTHATCH (no railing)	7/02→6/12	<b>20</b> (F = 81cm)	<b>11,5</b> (F = 72,5cm)	<b>M</b> 120cm
			<b>X</b>	<b>Y</b>	







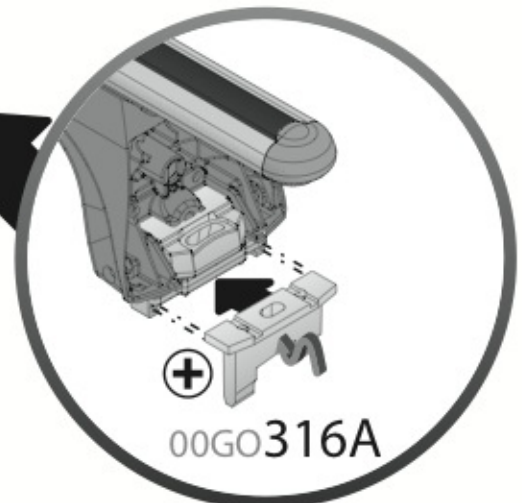
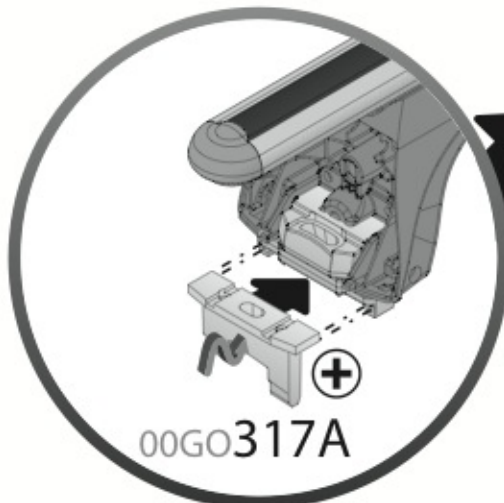
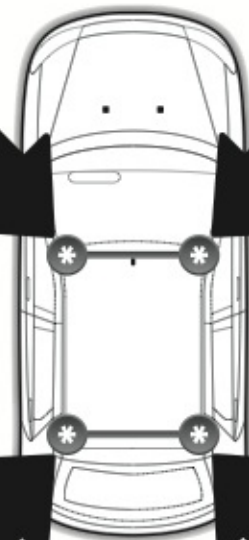
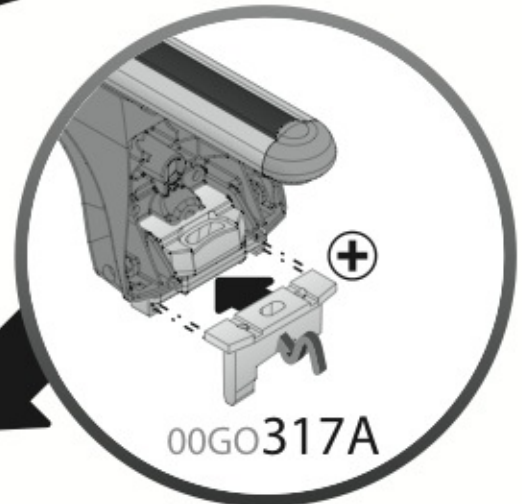
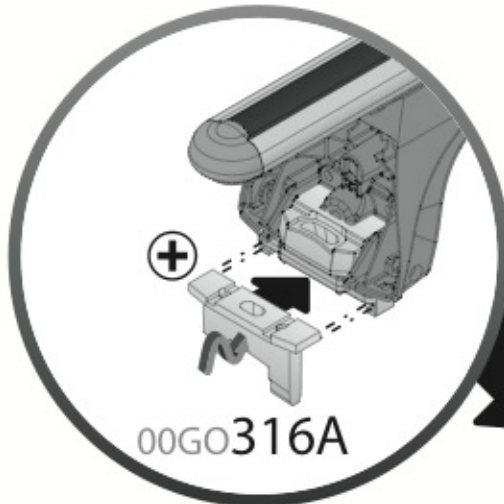
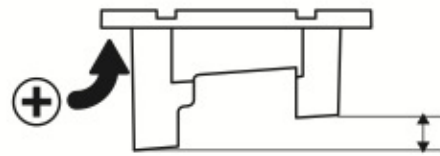
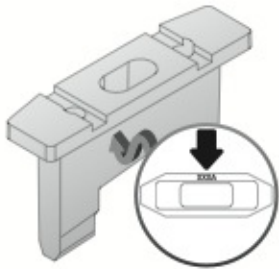
8



9A

**BMW  
SERIE 1 (E81, E87)**  
9/04→6/12

**BMW  
SERIE 1 (E82)  
COUPÉ**  
9/07→12/13



9B

**BMW**  
**SERIE 3 (E46)**  
BERLINA

1/98→2/05

**BMW**  
**SERIE 3 (E46)**  
COMPACT

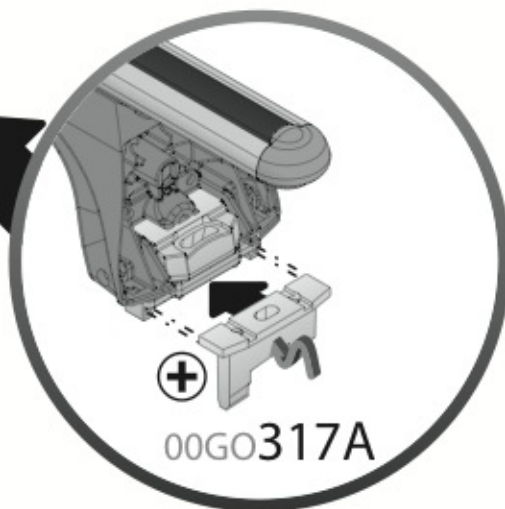
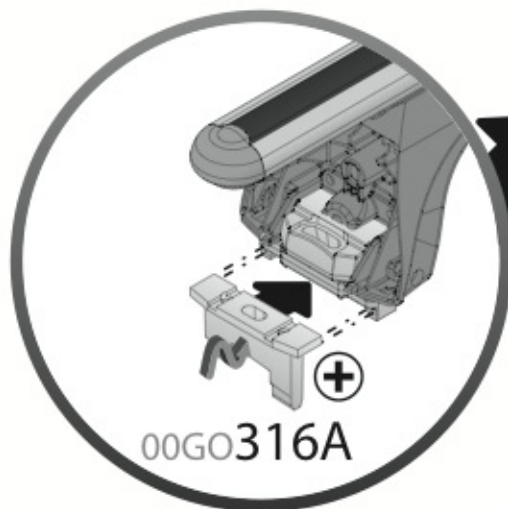
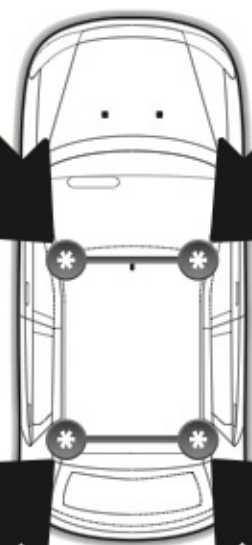
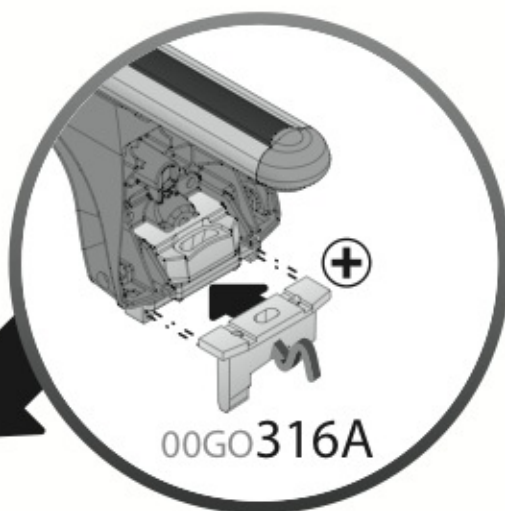
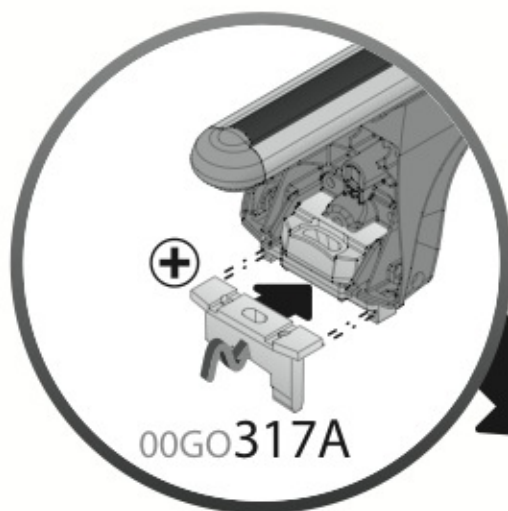
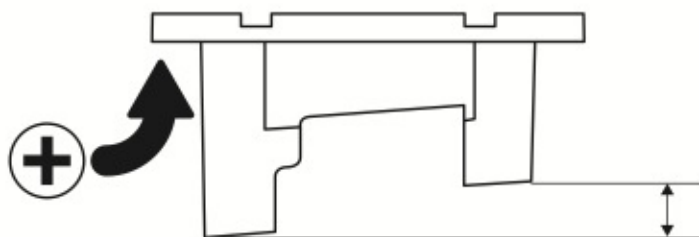
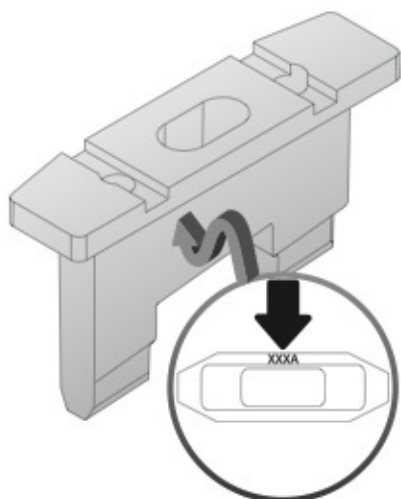
6/01→12/04

**BMW**  
**SERIE 3 (E46)**  
COUPE

4/99→8/06

**BMW**  
**SERIE 5 (E39)**  
BERLINA

9/95→6/03

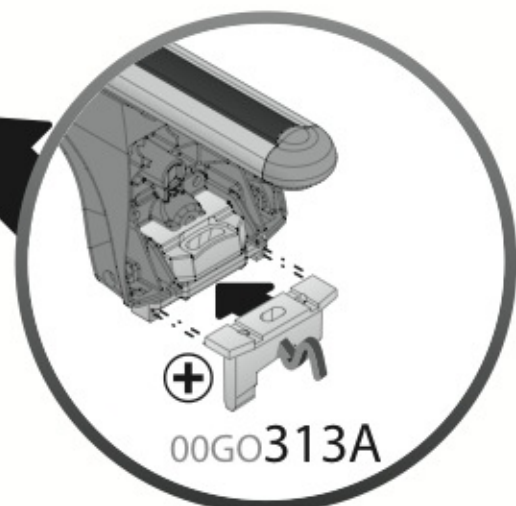
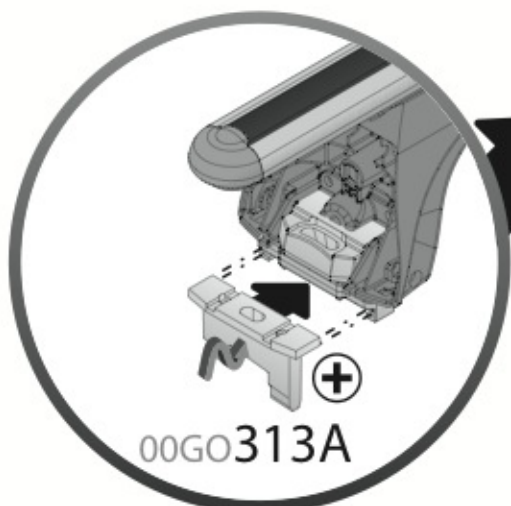
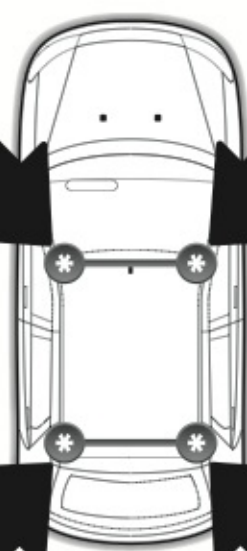
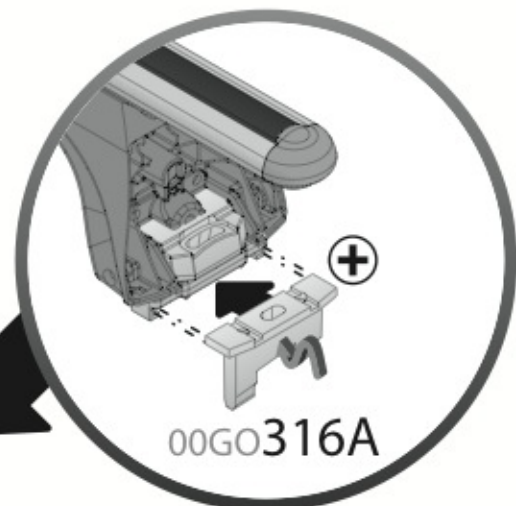
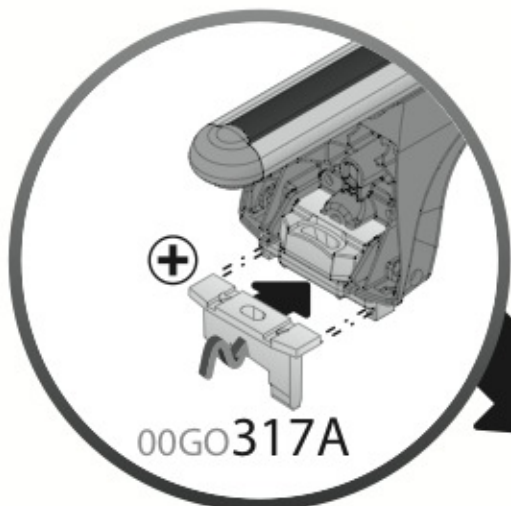
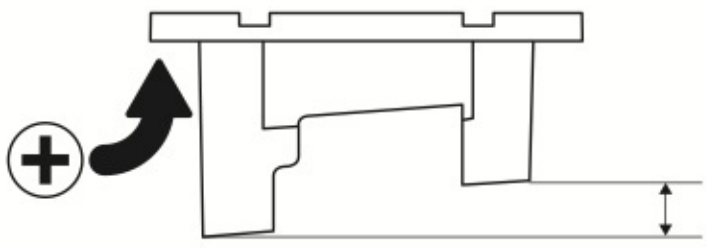
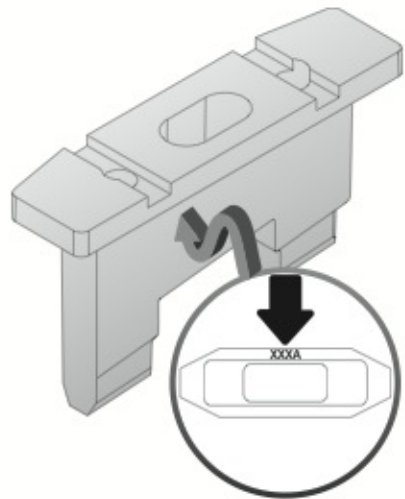


9c

**BMW**  
**SERIE 3 (E46)**  
TOURING (no ralling)  
9/99→8/05

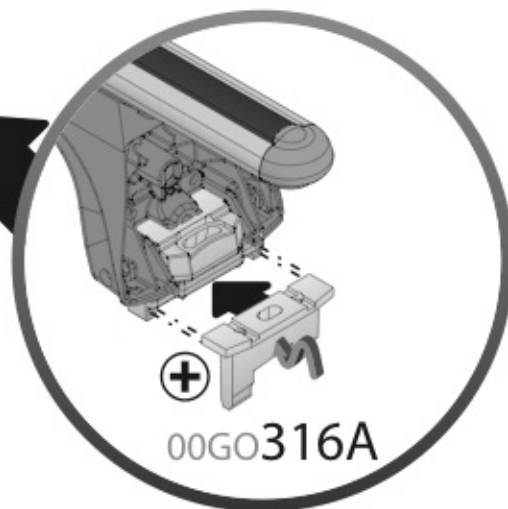
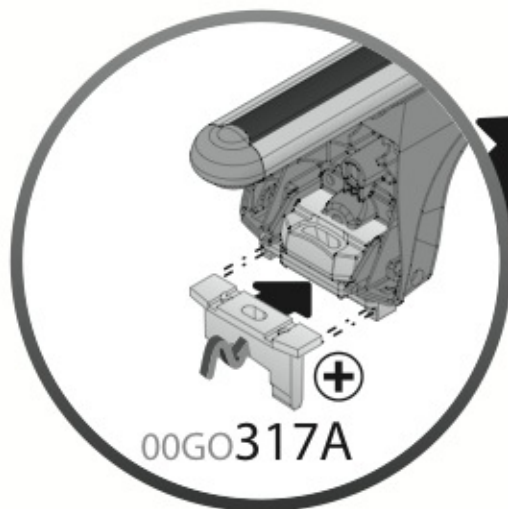
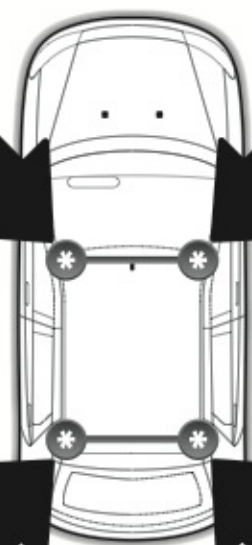
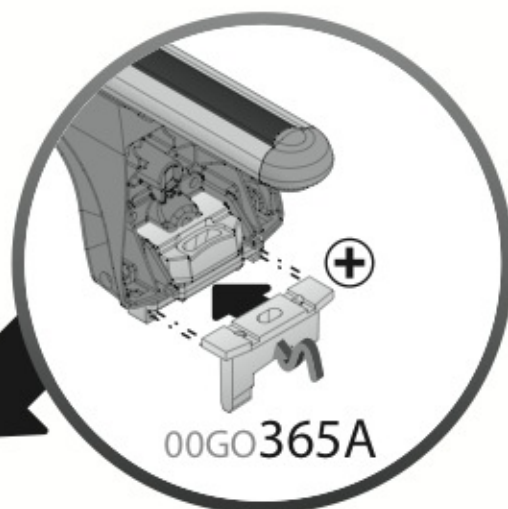
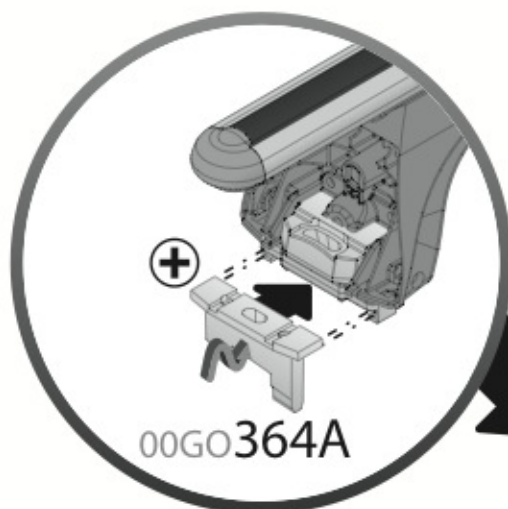
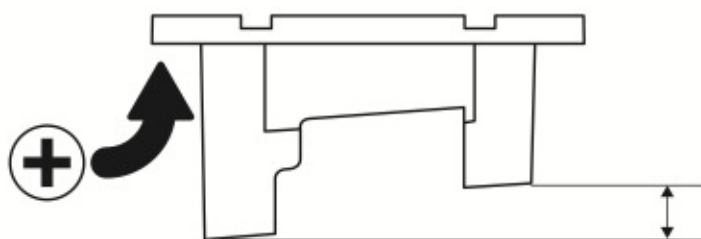
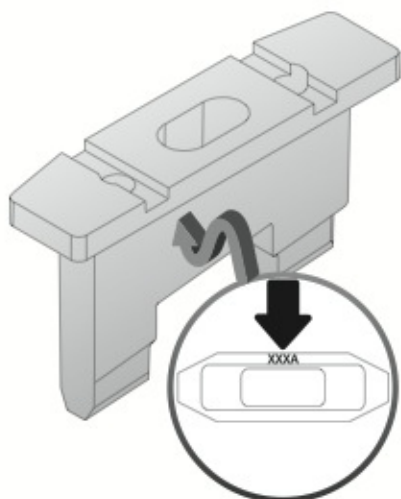
**BMW**  
**SERIE 5 (E39)**  
TOURING (no ralling)  
4/97→3/04

**FORD**  
**MONDEO**  
4  
11/00→5/07



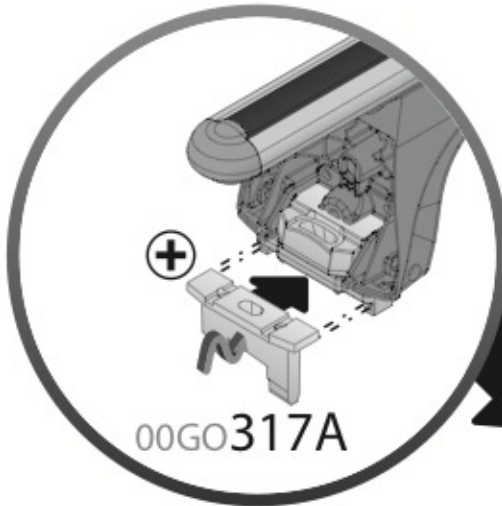
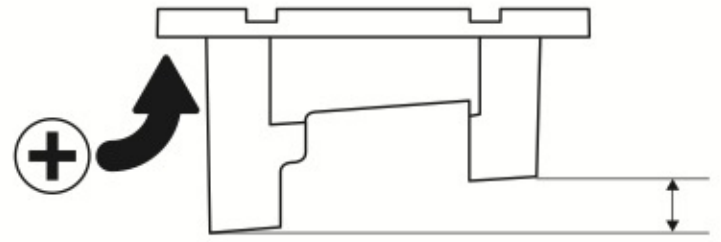
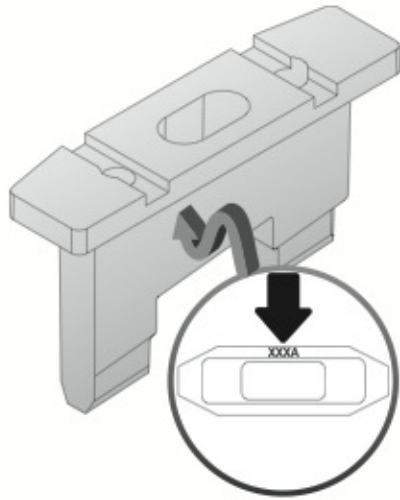
9D

**BMW  
SERIE 3**  
BERLINA (E90)  
TOURING (E91 no railing)  
3/05→5/12

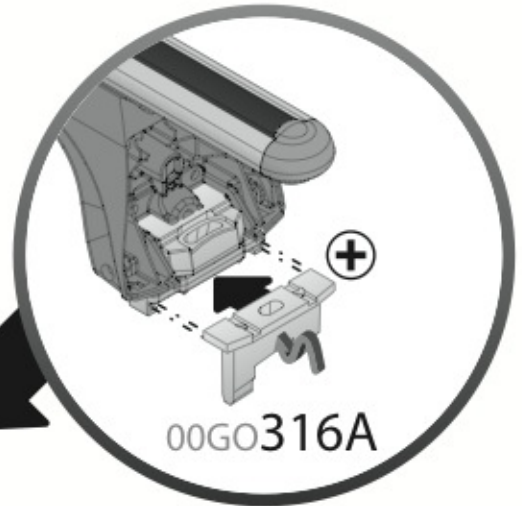


9E

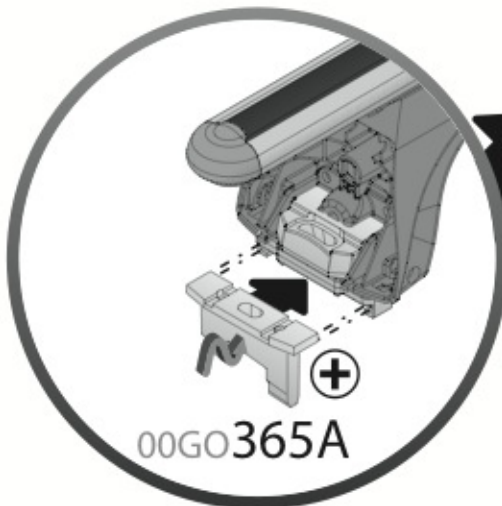
SAAB 9.3  
SPORTSEDAN  
7/05→6/12



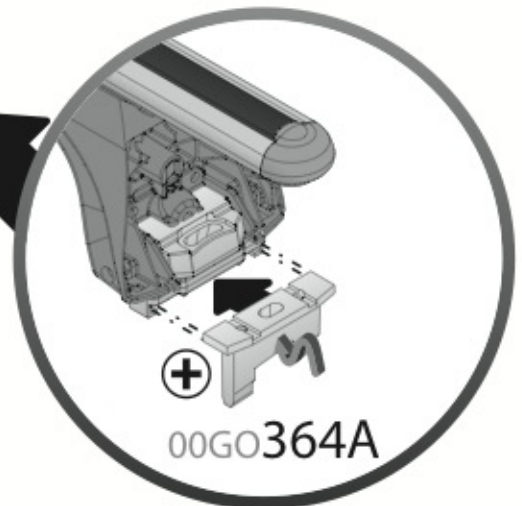
00GO317A



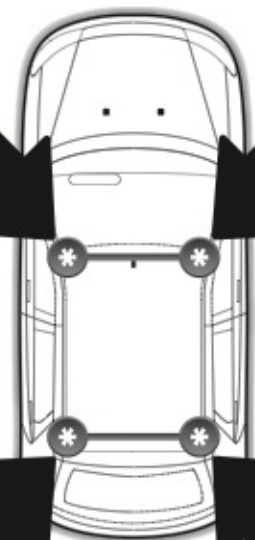
00GO316A



00GO365A

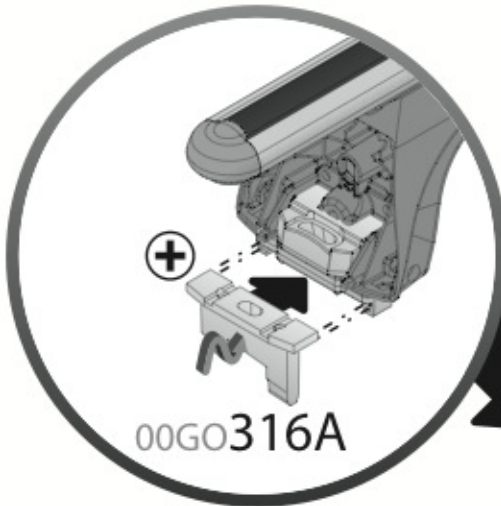
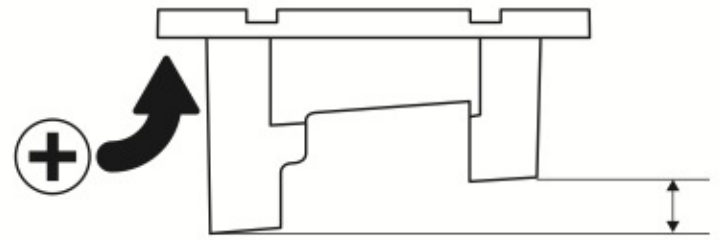
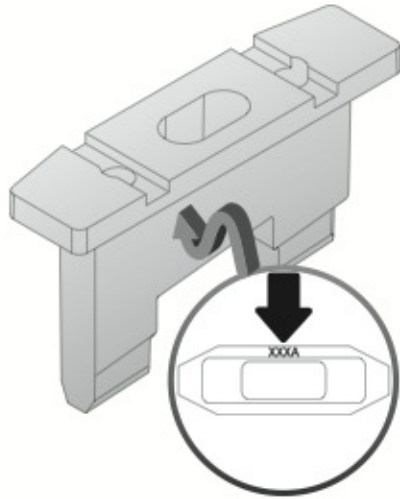


00GO364A

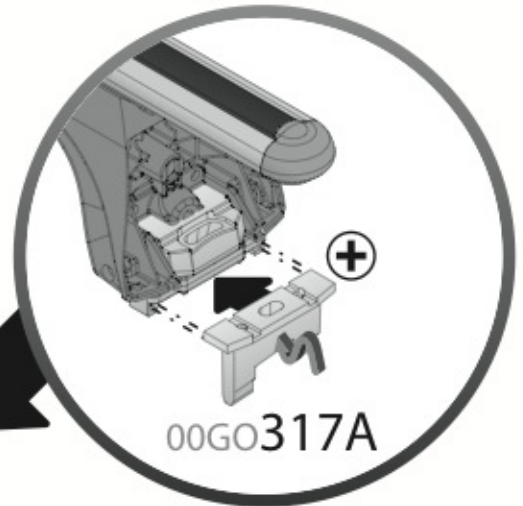


9F

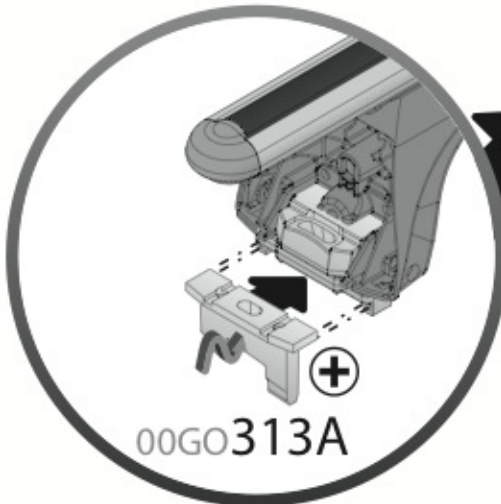
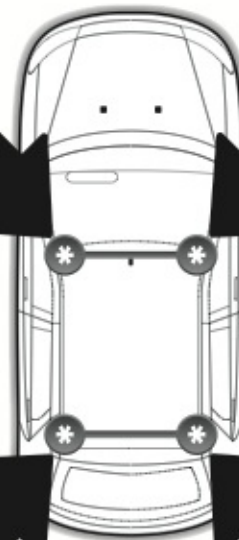
**SAAB 9.3**  
SPORTHATCH  
(no railing)  
7/02→6/12



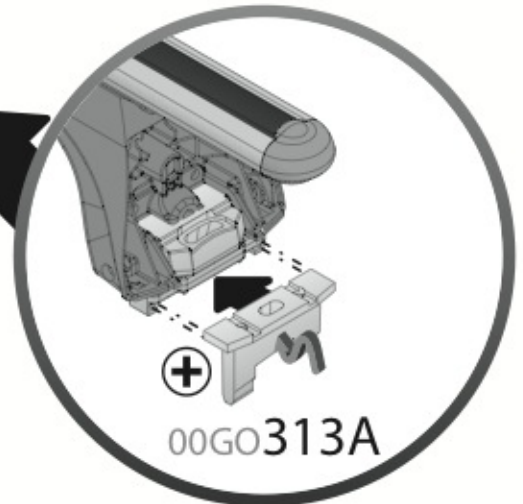
00GO316A



00GO317A

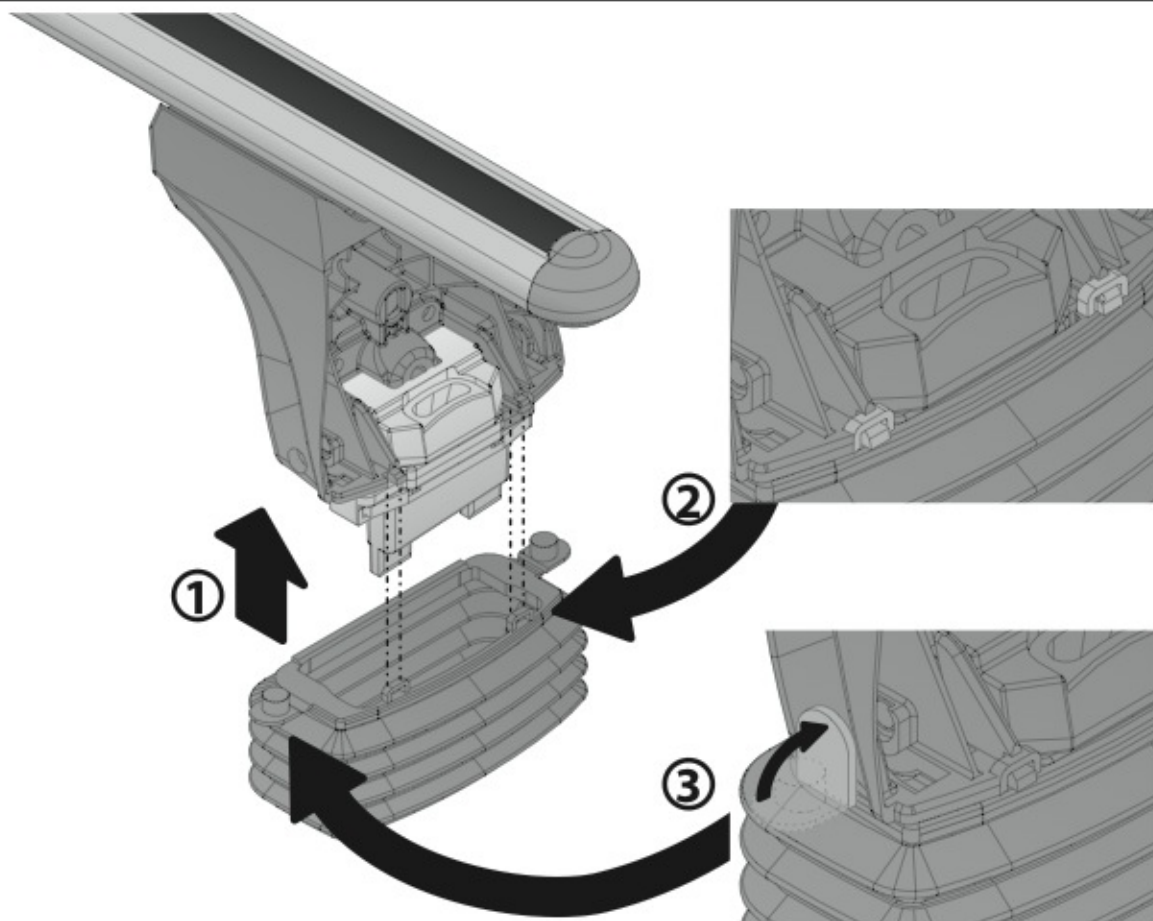


00GO313A



00GO313A

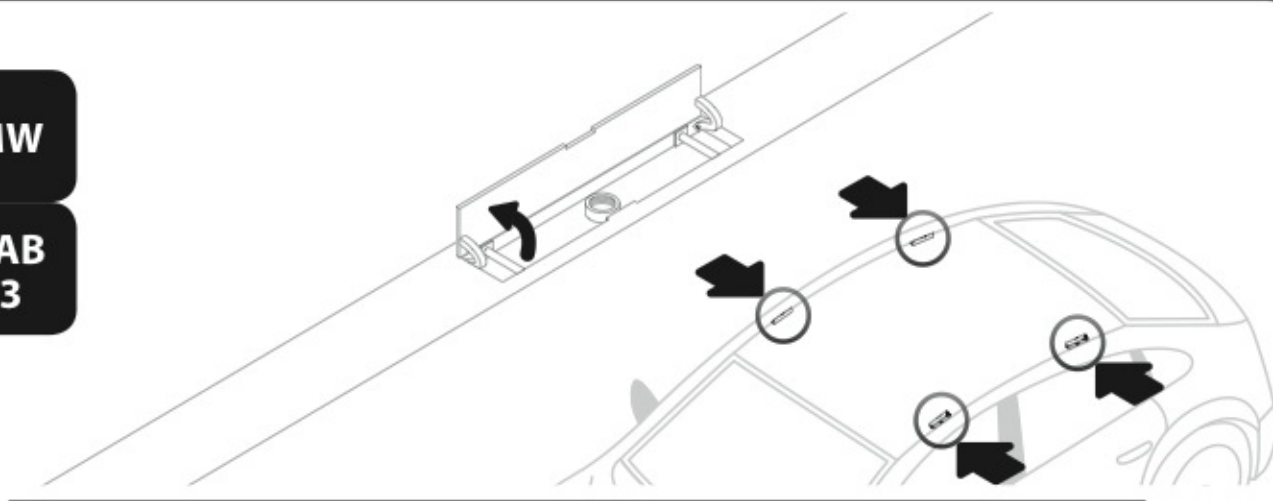
10



11A

BMW

SAAB  
9.3

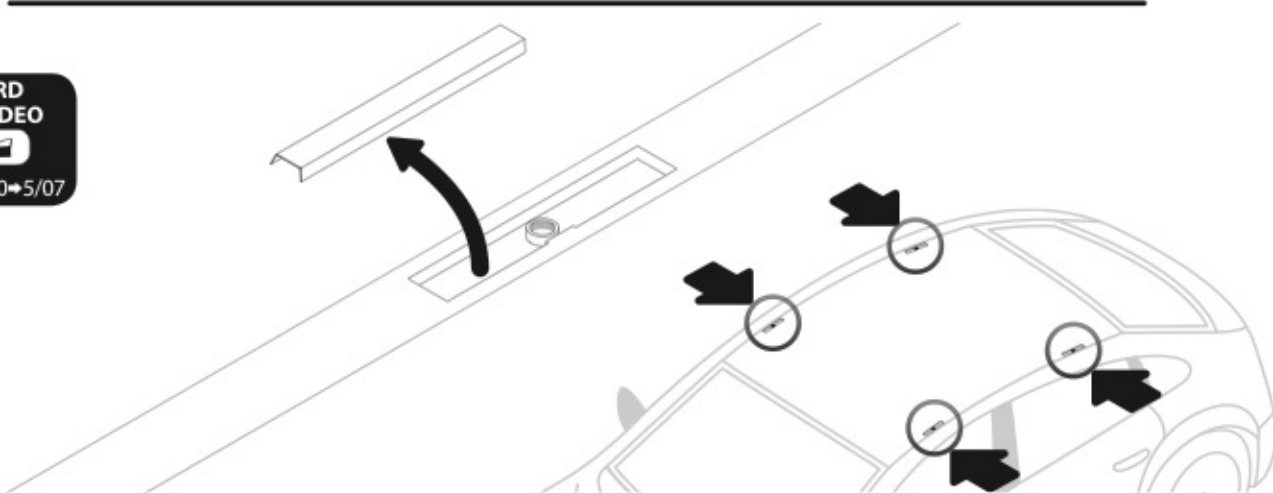


11B

FORD  
MONDEO

4

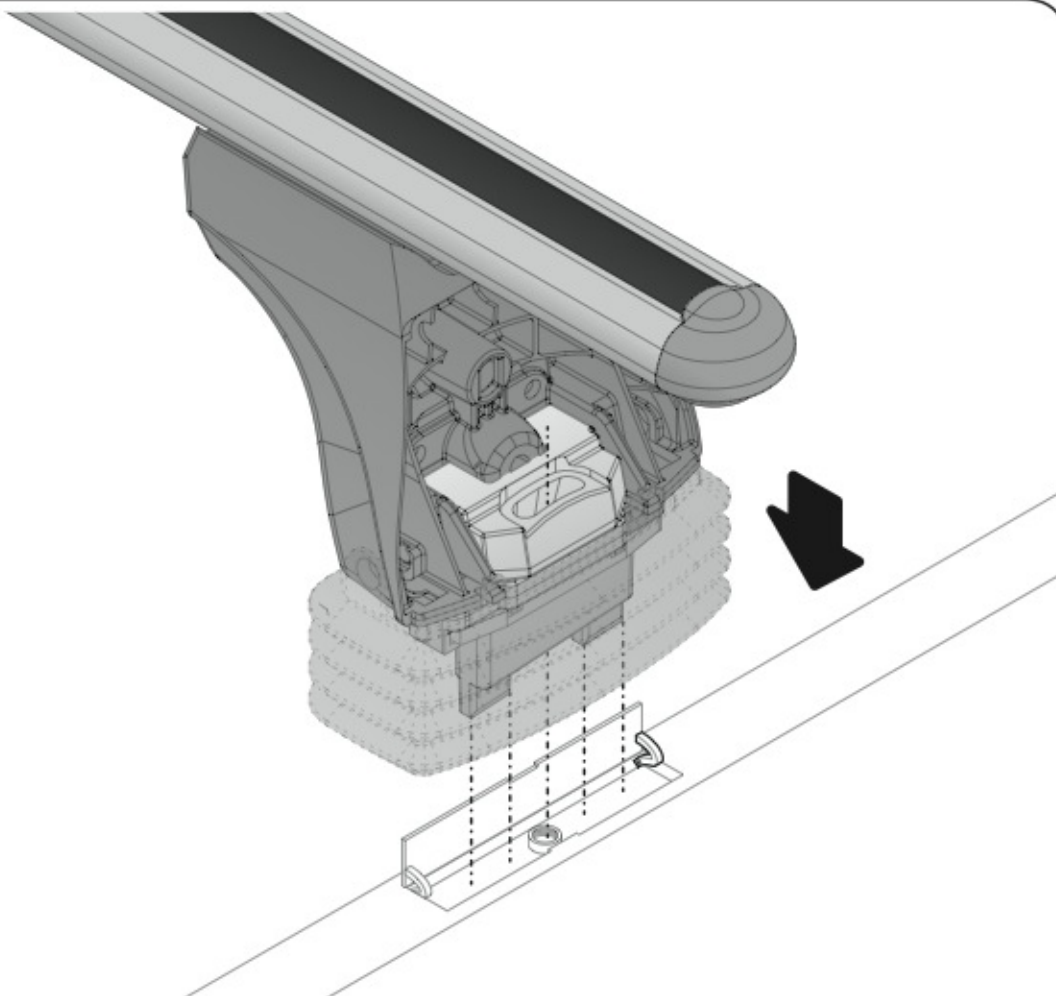
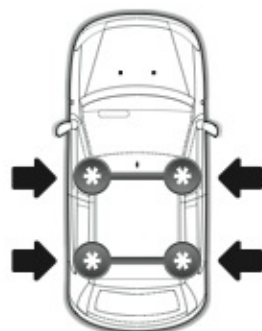
11/00-5/07



12A

BMW

SAAB  
9.3

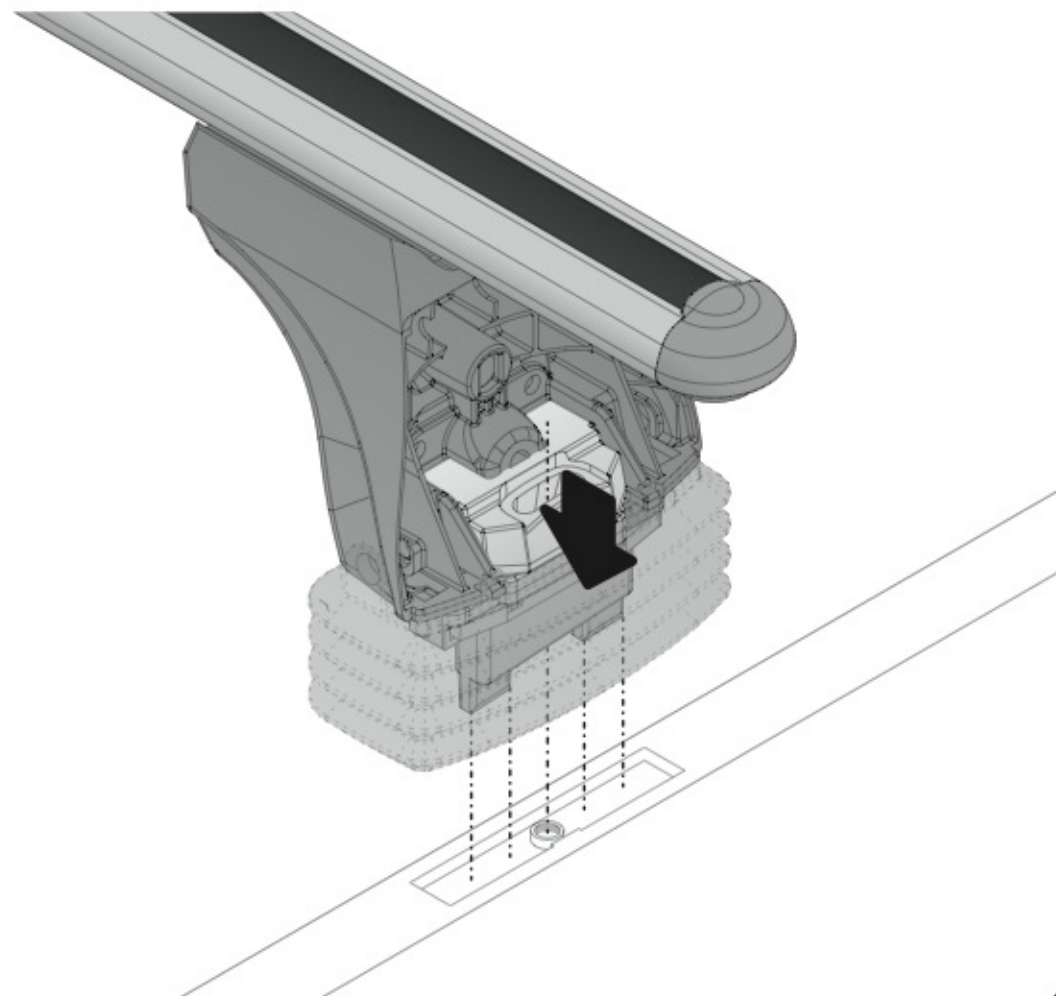
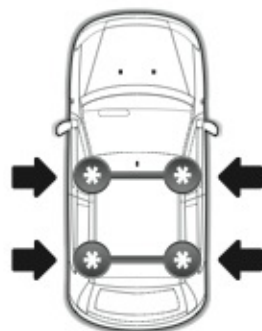


12B

FORD  
MONDEO

4

11/00→5/07





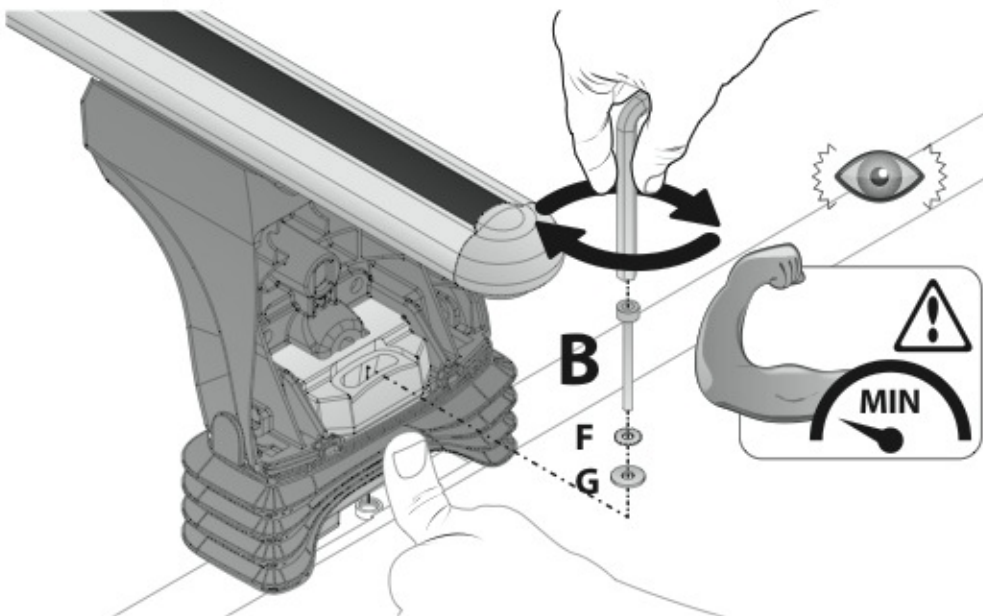
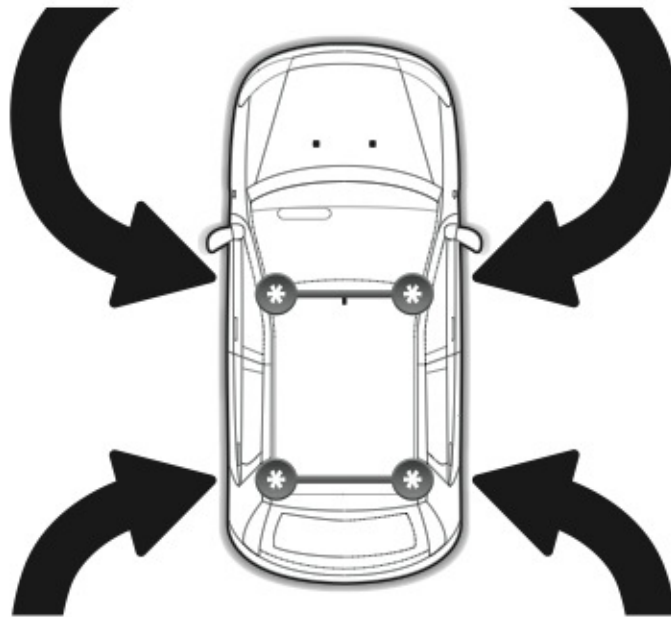
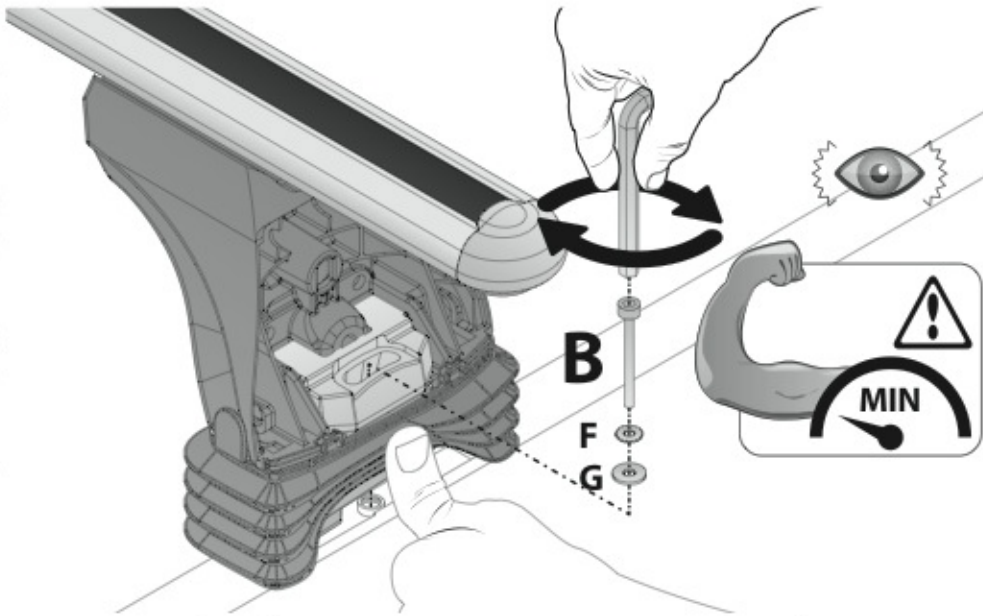
13A

**BMW**  
**SERIE 1** (E81, E87)  
9/04→6/12

**BMW**  
**SERIE 1** (E82)  
COUPE  
9/07→12/13

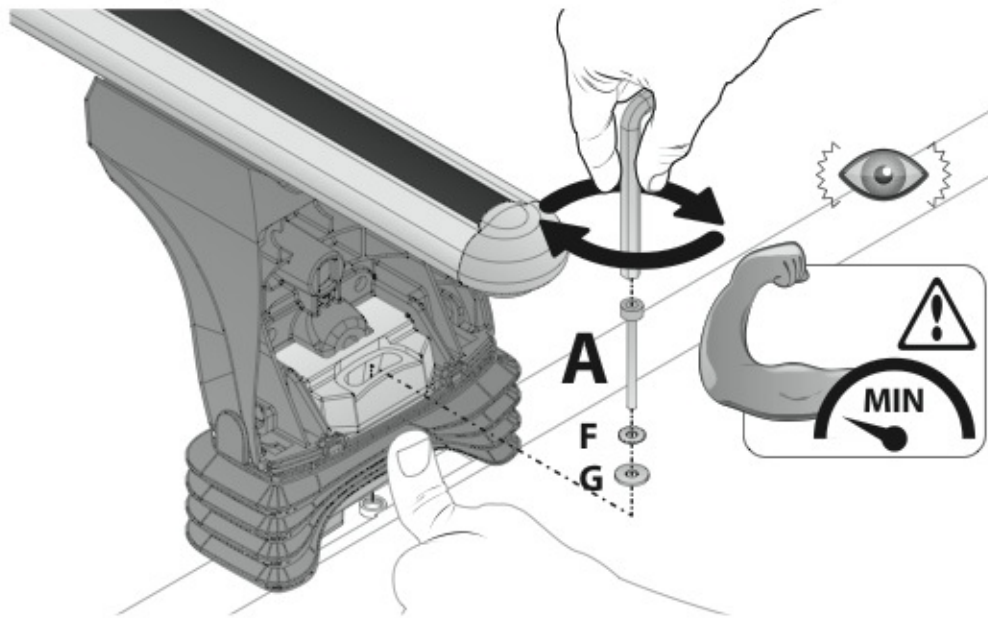
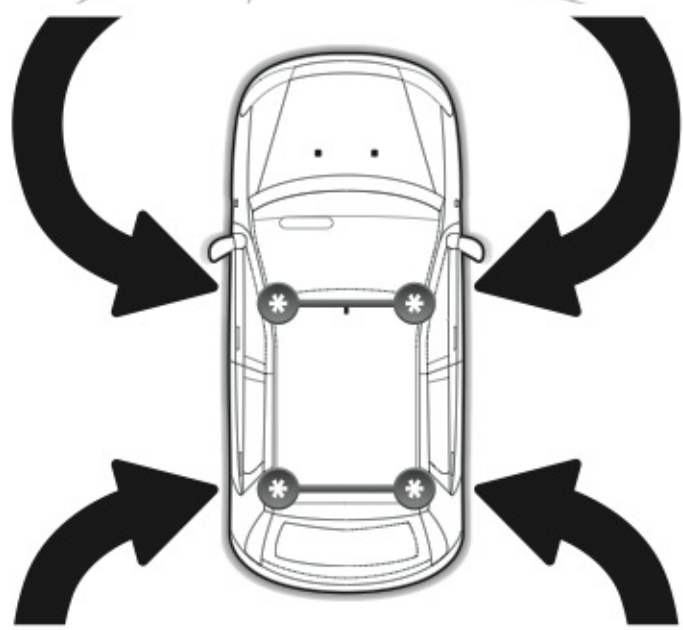
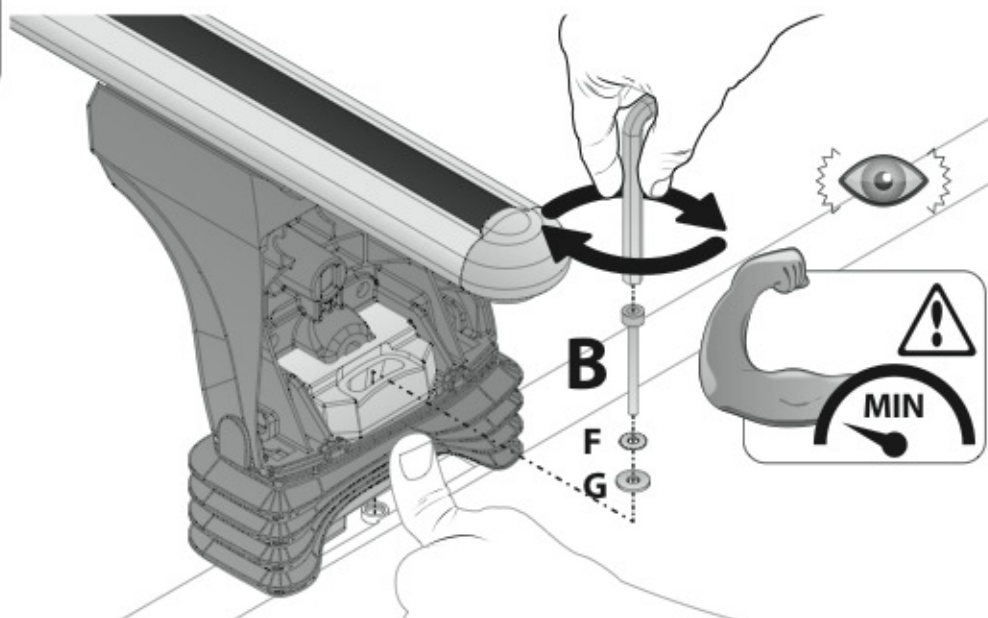
**BMW**  
**SERIE 3** (E46)  
1/98→8/06

**BMW**  
**SERIE 5** (E39)  
9/95→3/04



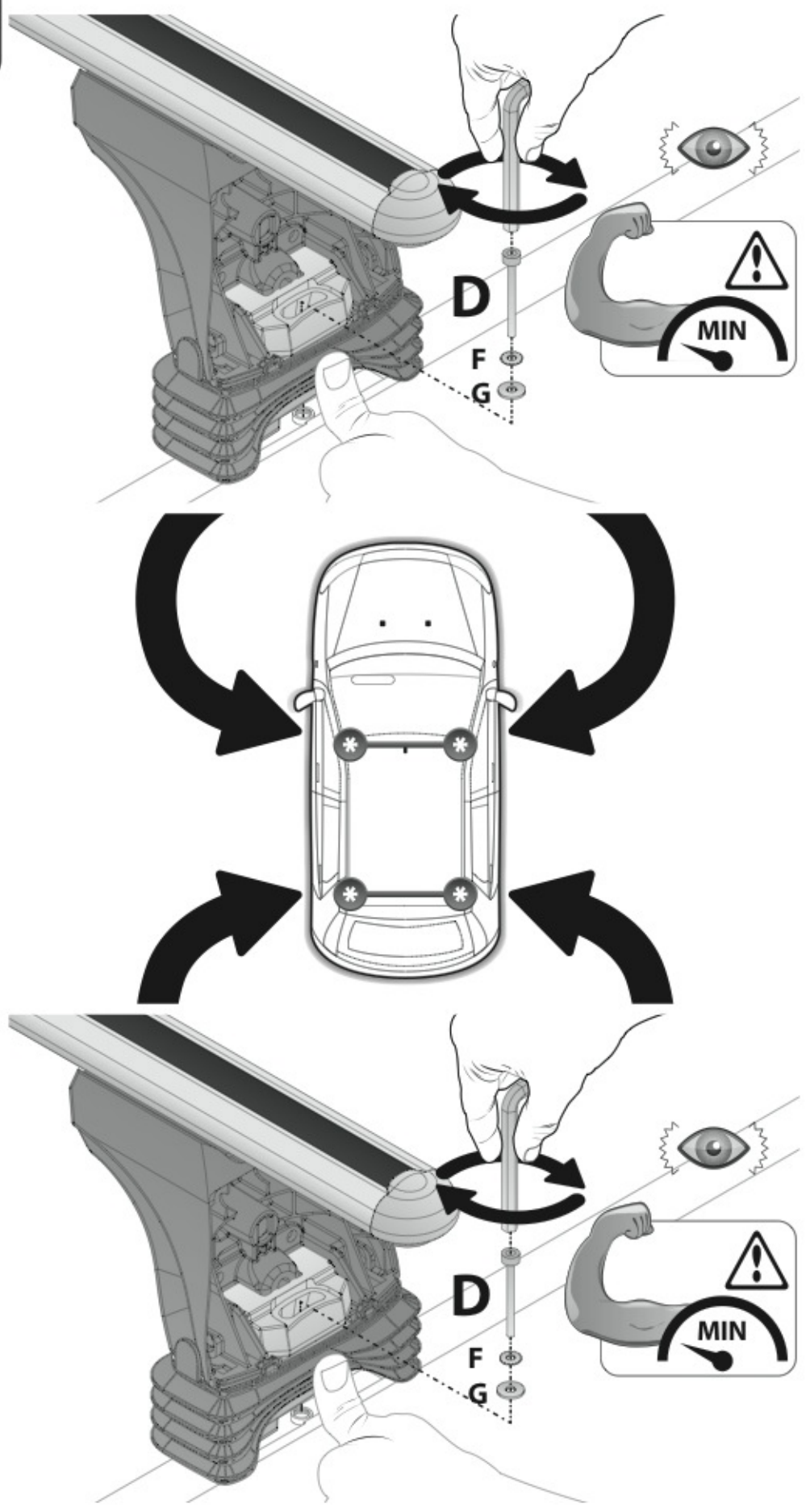
13B

**BMW**  
**SERIE 3**  
BERLINA (E90)  
TOURING (E91 no railing)  
3/05→5/12



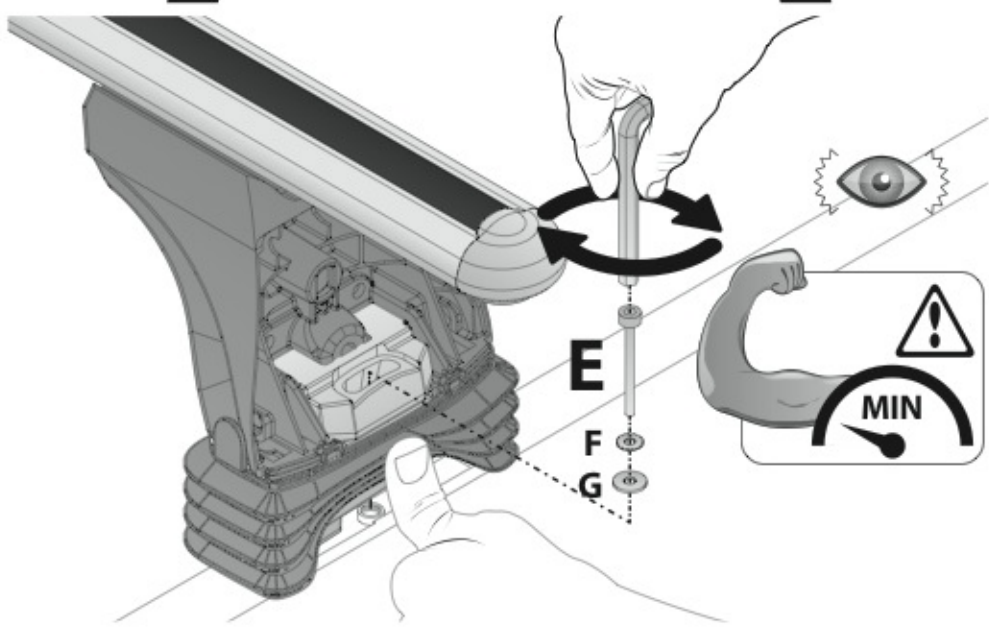
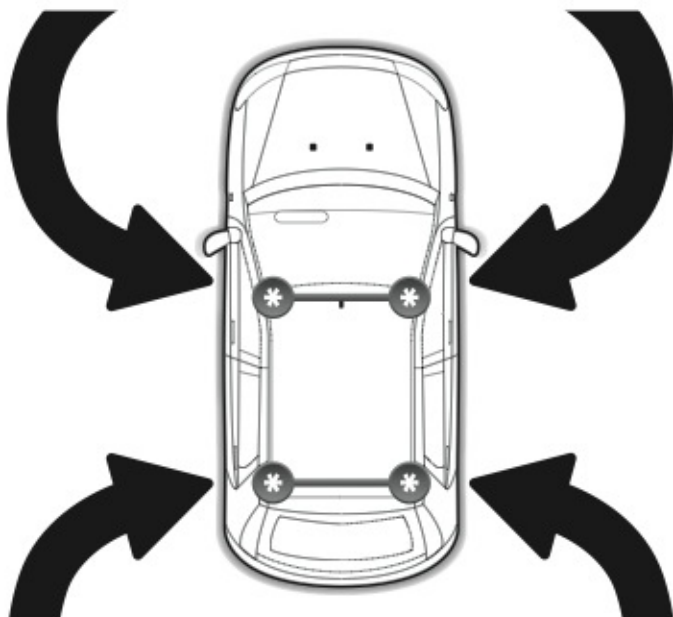
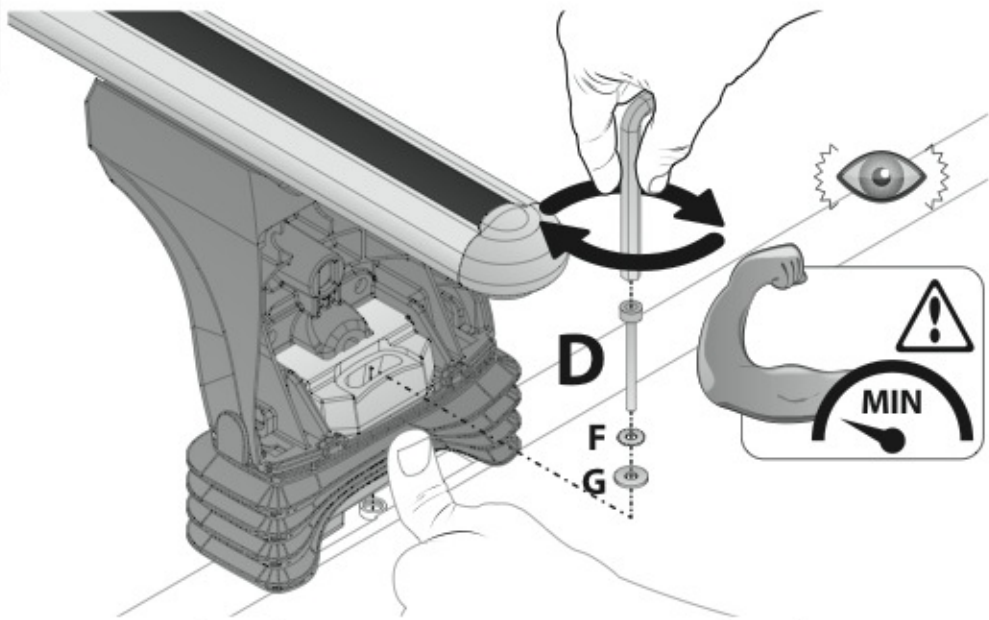
13c

FORD  
MONDEO  
4  
11/00→5/07



13D

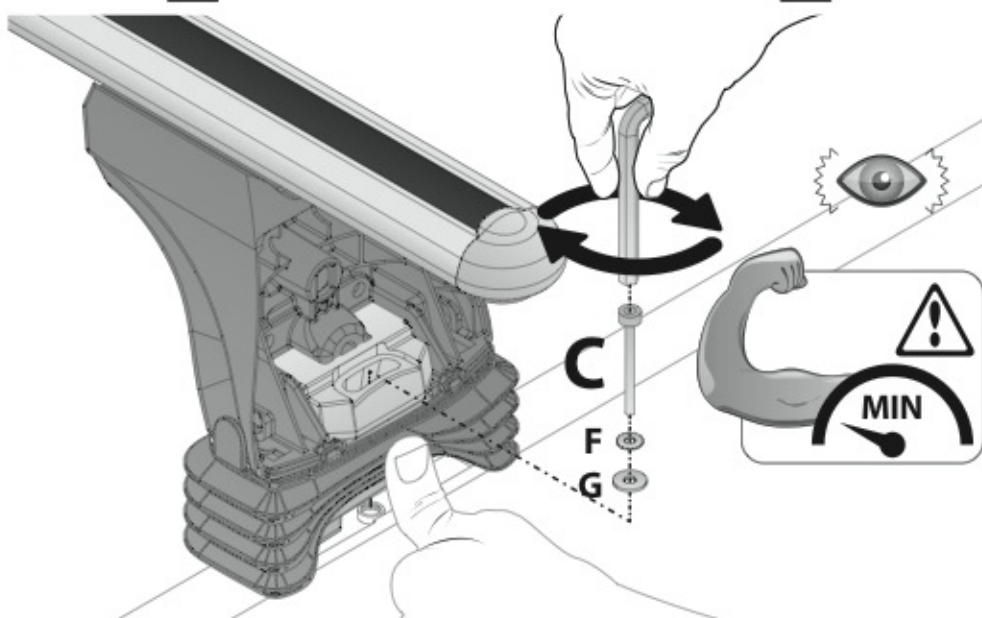
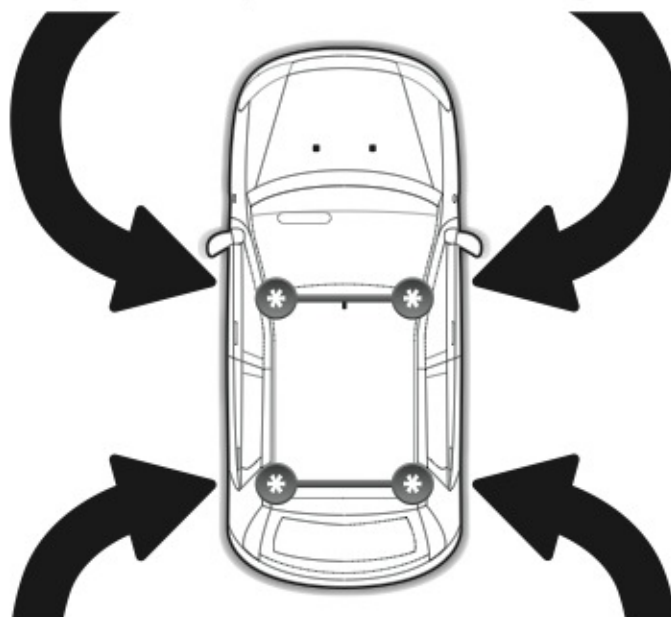
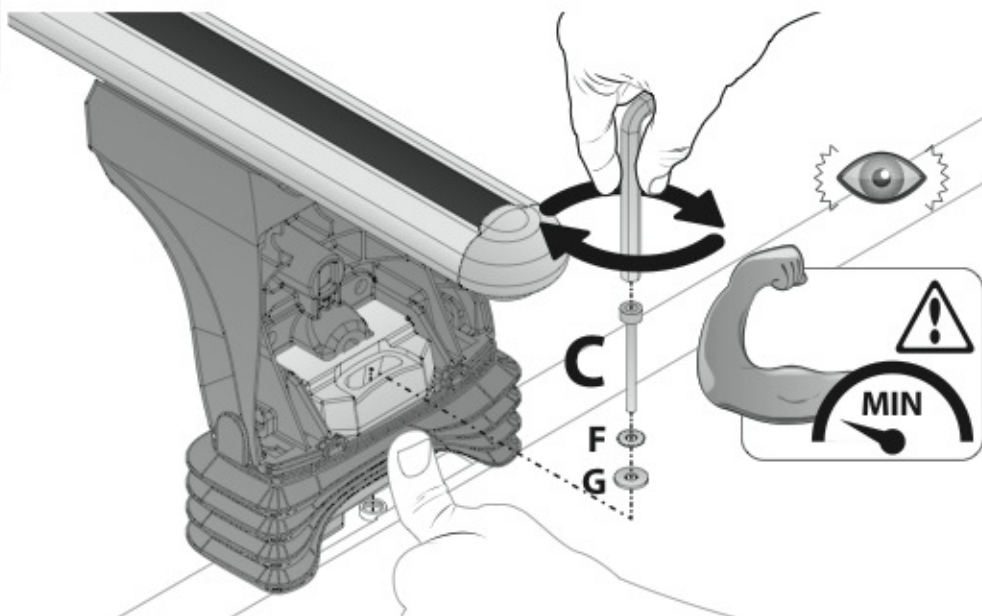
SAAB 9.3  
SPORTSEDAN  
7/05→6/12



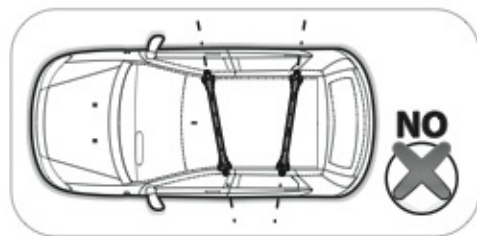
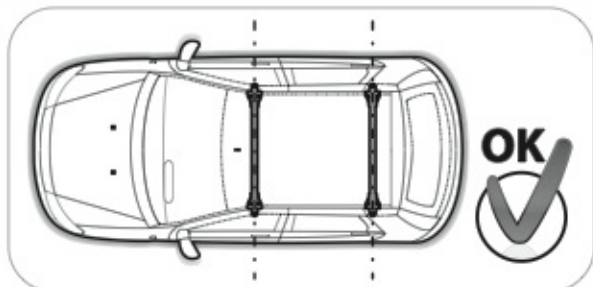
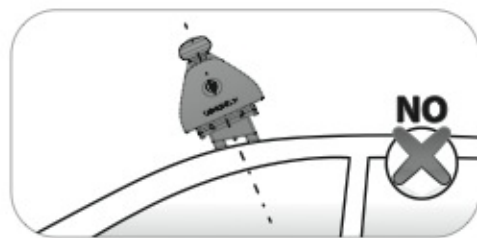
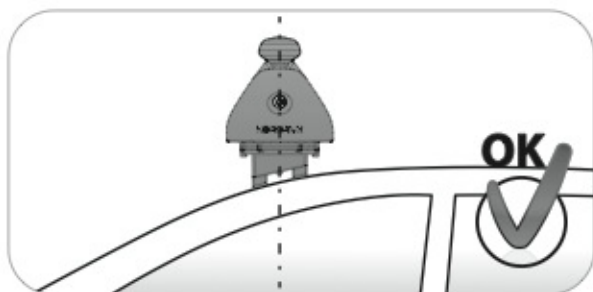
13E

SAAB 9.3  
SPORTHATCH  
(no railing)

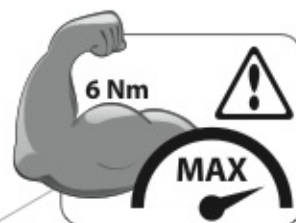
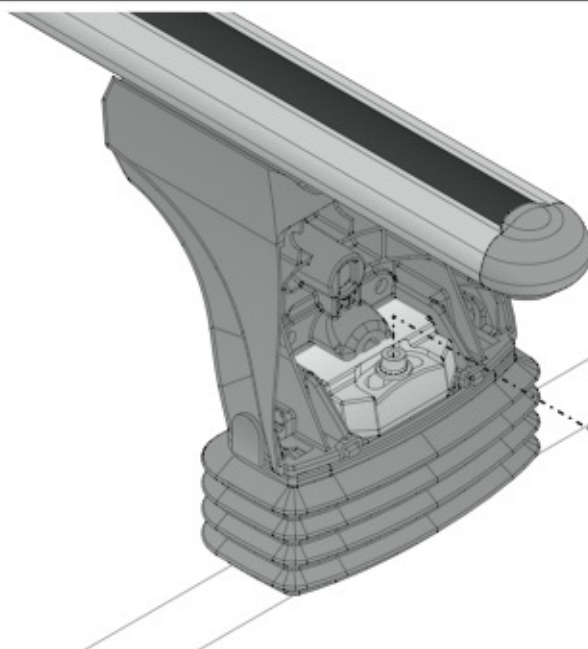
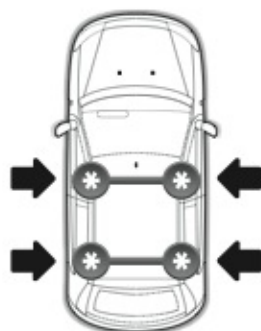
7/02→6/12



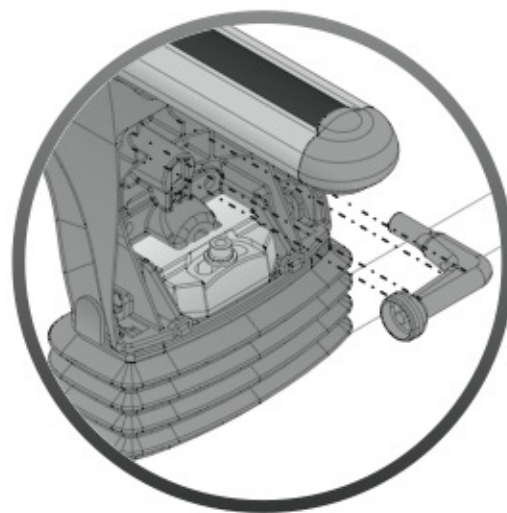
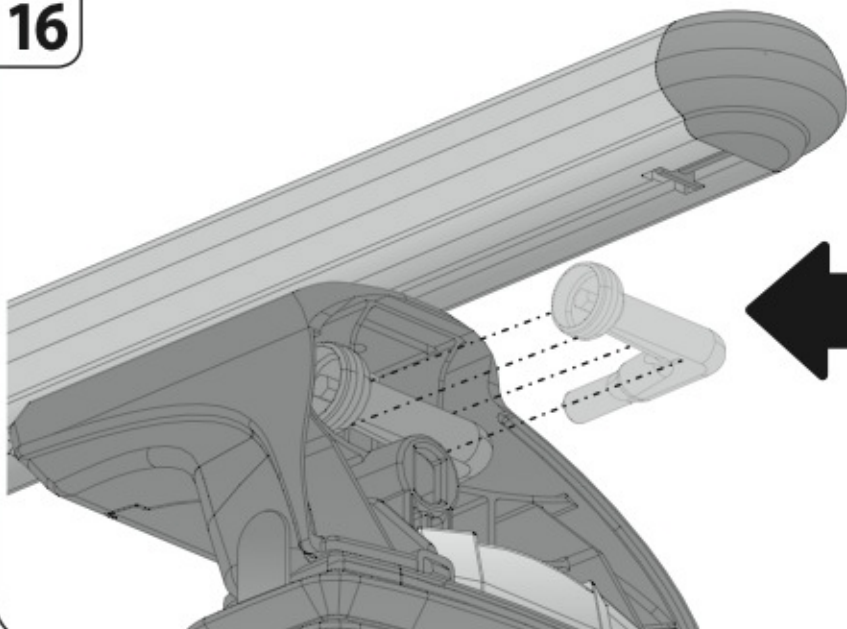
14



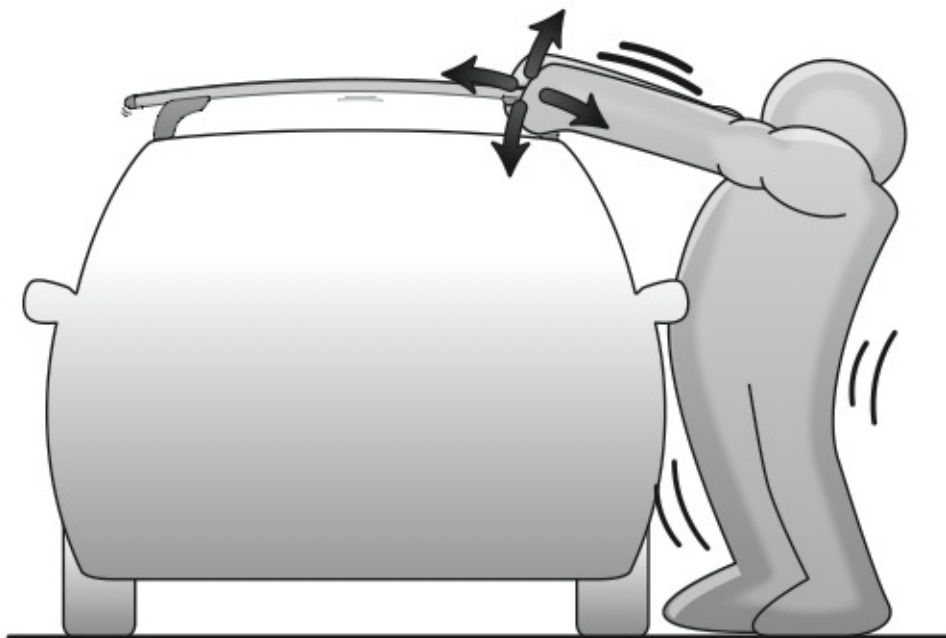
15



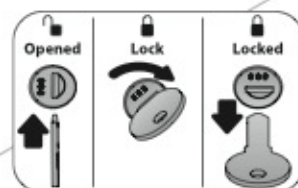
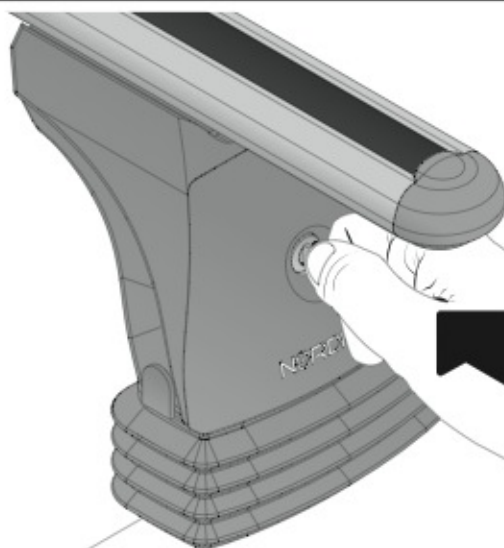
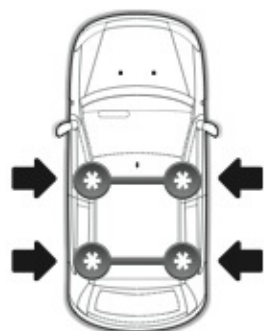
16



17



18



# EVOS

**NORDRIVE**<sup>®</sup>  
TRANSPORT SOLUTIONS

is a registered trade mark of

**LAMPA S.p.A.**

Via G. Rossa 53/55, 46019 Viadana (MN) ITALY

Tel. +39 0375 820700

UNI EN ISO 9001:2008 Certified Company

**[www.nordrive.it](http://www.nordrive.it)**

**[www.lampa.it](http://www.lampa.it)**