



DACIA
SANDERO

9/08→

M



RENAULT
CLIO

5



10/05→1/13

S



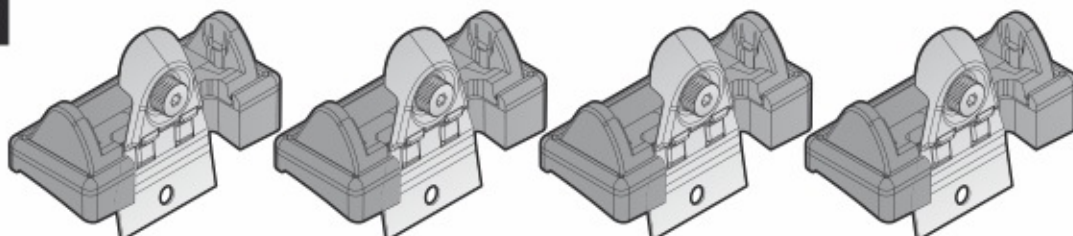
RENAULT
MODUS

9/04→6/13

L



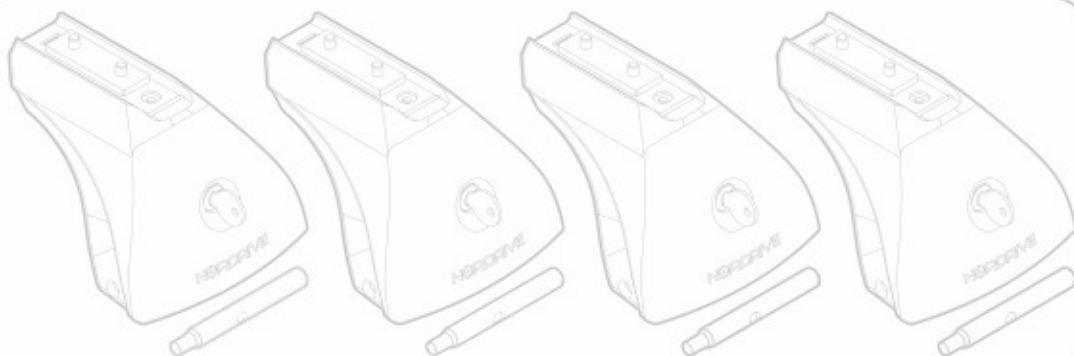
Art.
N21058



C



Art. **N20001**



B



Art. **N15019**

108cm

A ACCIAIO
Steel



Art. **N15020**

120cm

A ACCIAIO
Steel



Art. **N15021**

127cm

A ACCIAIO
Steel



Art. **N15024**

108cm

A ALLUMINIO
Aluminium



Art. **N15025**

120cm

A ALLUMINIO
Aluminium



Art. **N15026**

127cm

A ALLUMINIO
Aluminium



Art. **N15074**

108cm

A ALLUMINIO
Aluminium



Art. **N15075**

120cm

A ALLUMINIO
Aluminium




Art. **N15076**

127cm

A ALLUMINIO
Aluminium

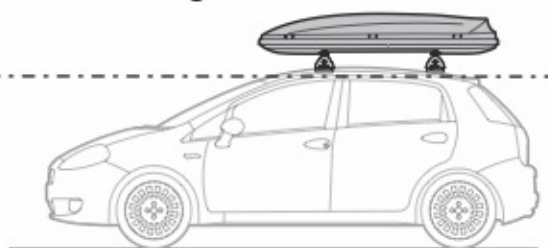




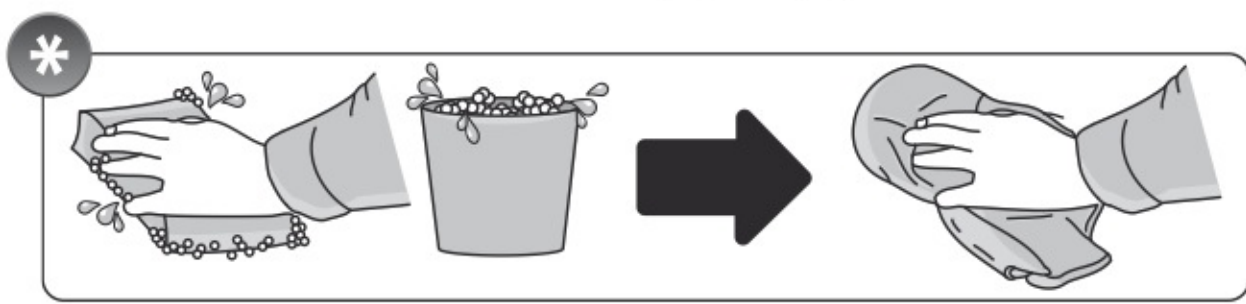
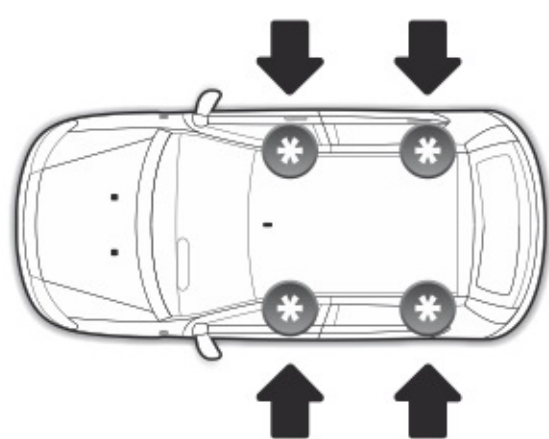
 +  +  = max: **75kg**



max: **???**kg



Safety regulations





DACIA
SANDERO
RENAULT
CLIO
RENAULT
MODUS



9/08→

M

5



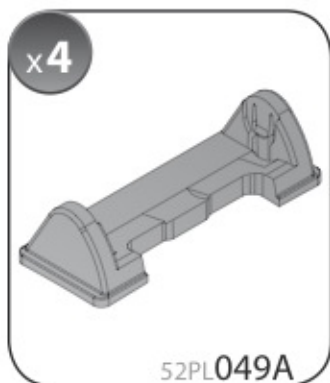
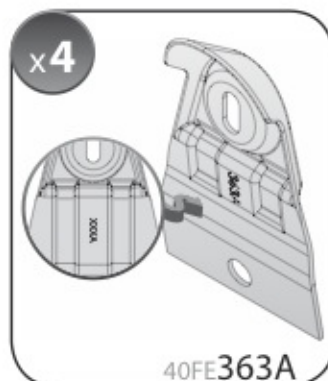
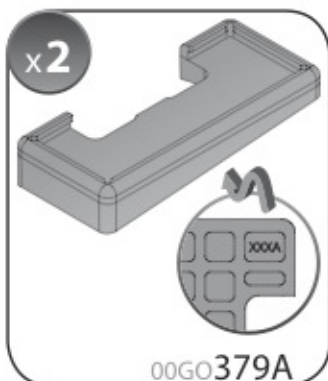
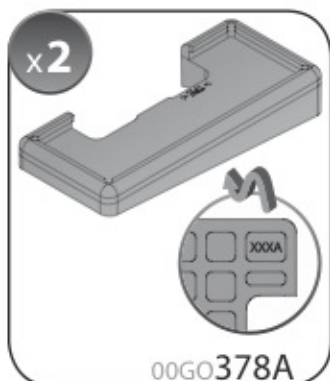
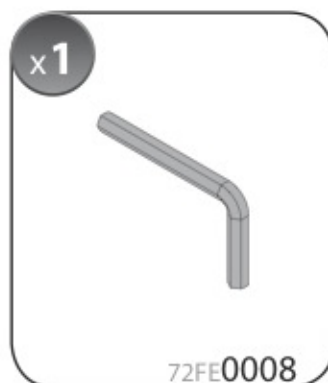
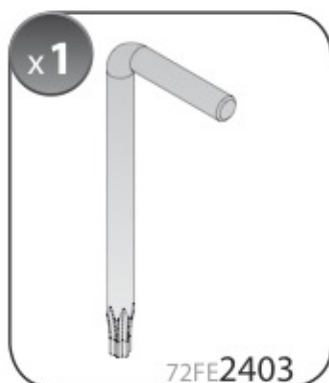
10/05→1/13

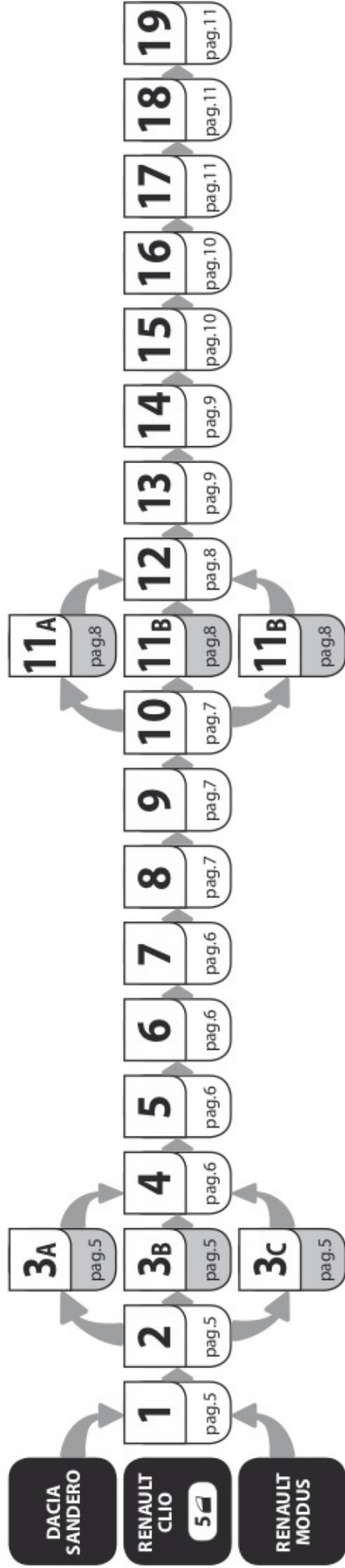
S

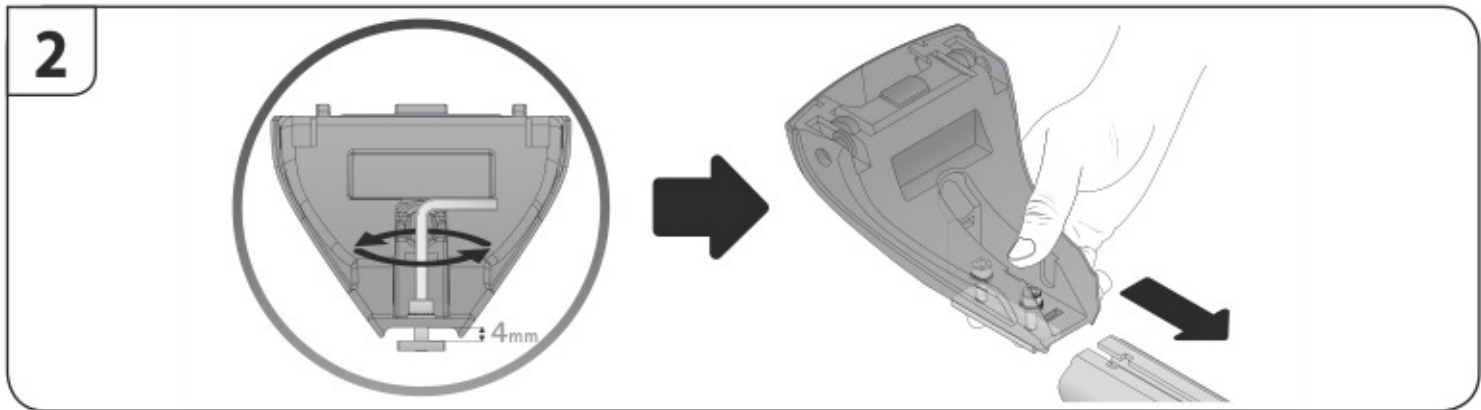
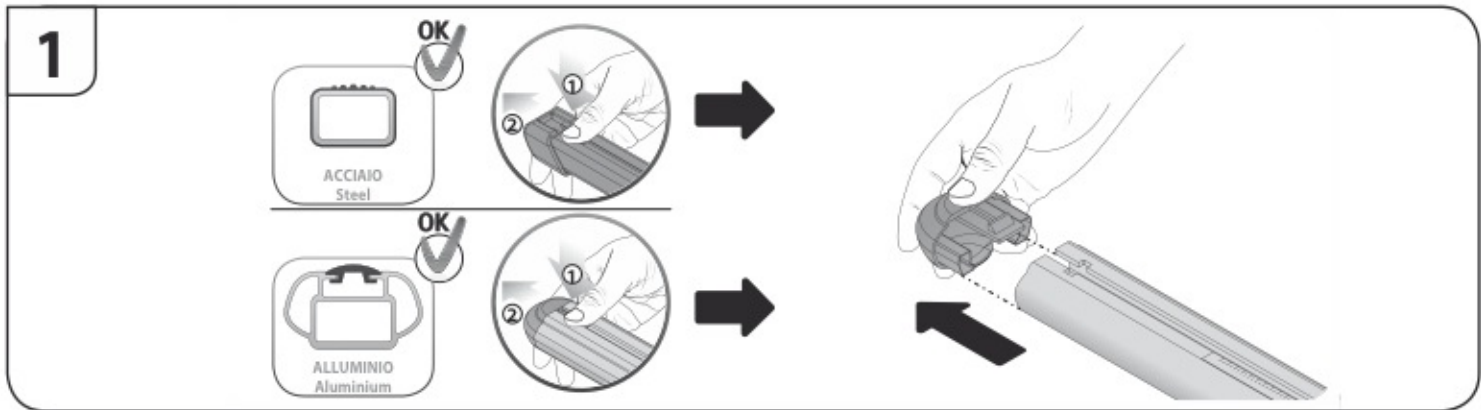
9/04→6/13

L

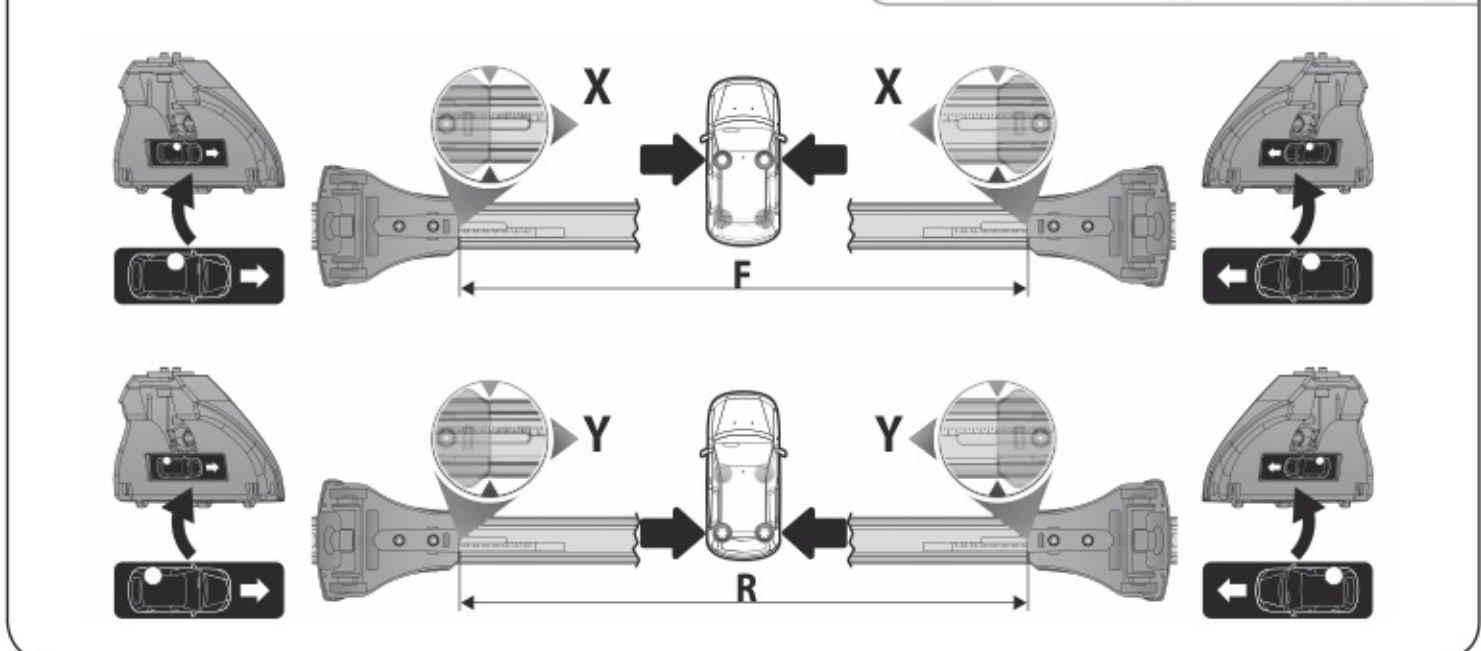
Art. **N21058**



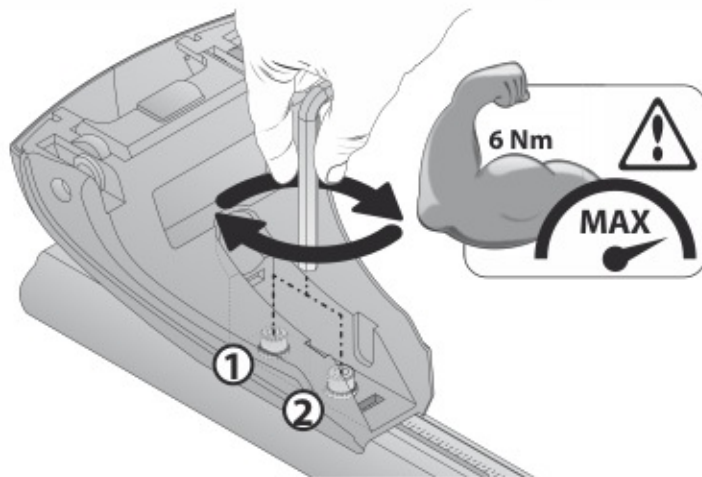




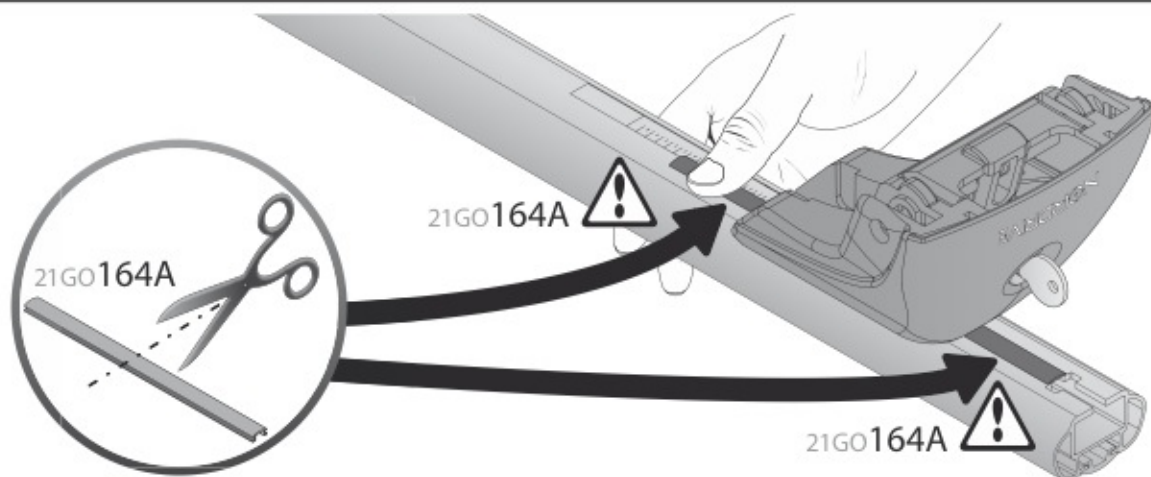
3A	DACIA SANDERO	9/08 →	23 (F = 84cm)	20 (R = 81cm)	M
3B	RENAULT CLIO	10/05 → 1/13	19,5 (F = 80,5cm)	15,5 (R = 76,5cm)	S
3C	RENAULT MODUS	9/04 →	28 (F = 89cm)	24 (R = 85cm)	L
			X	Y	



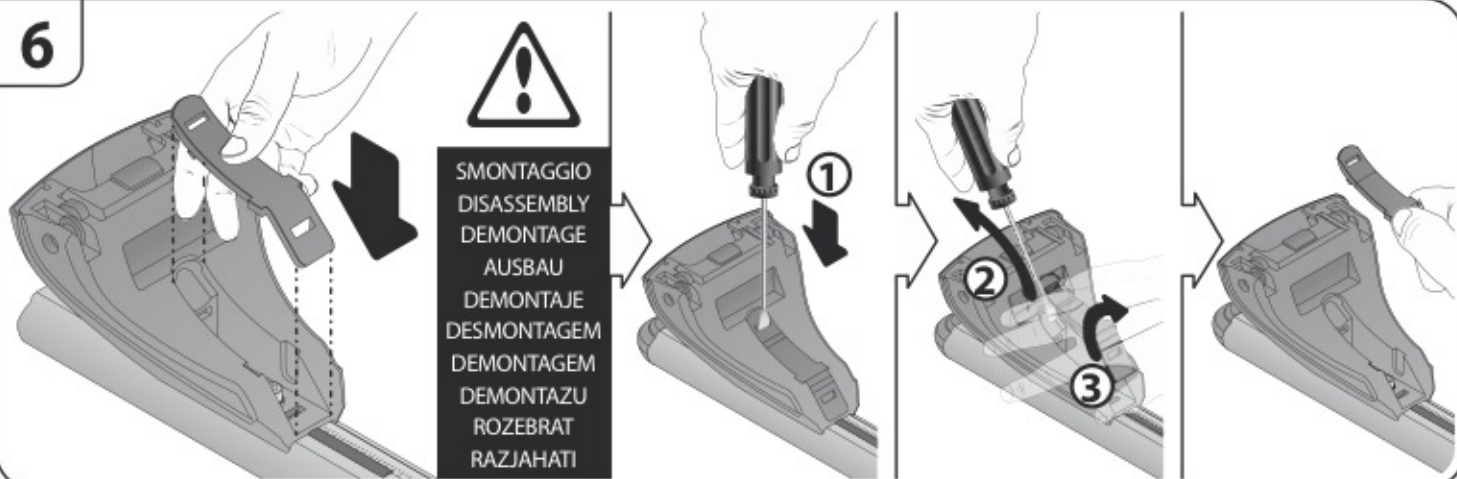
4



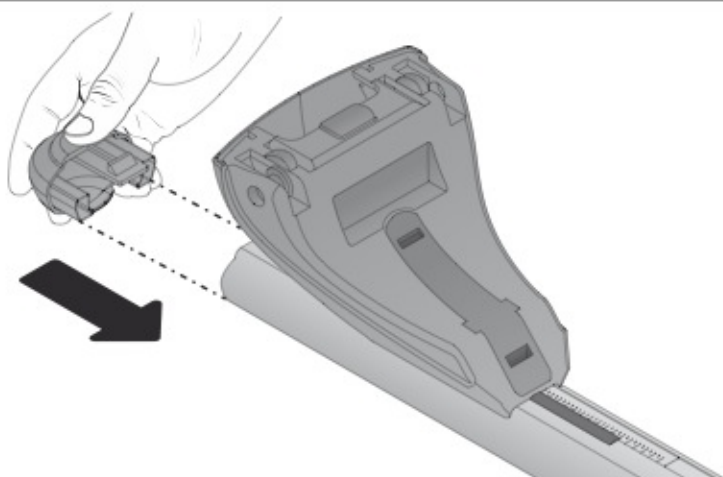
5

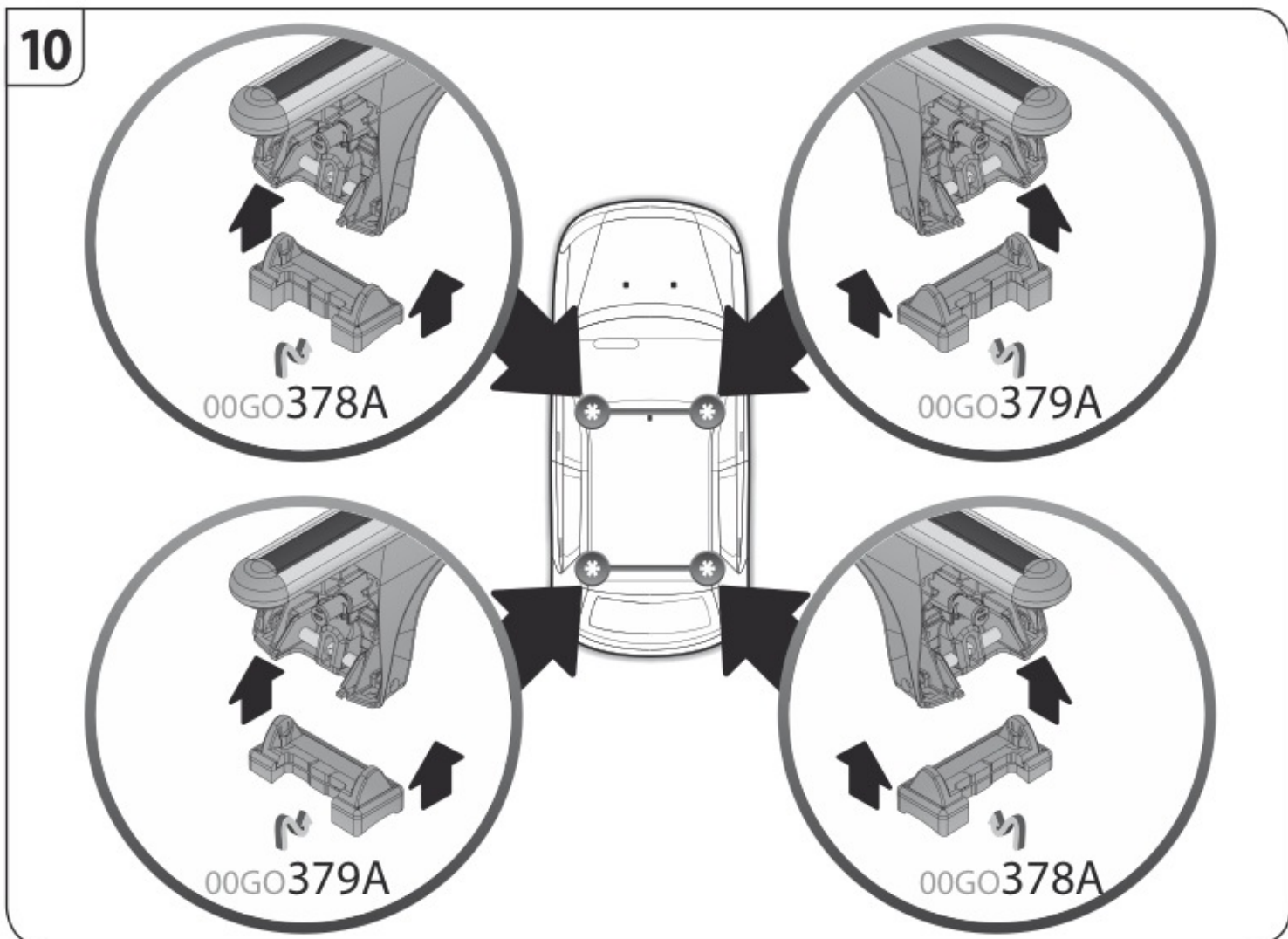
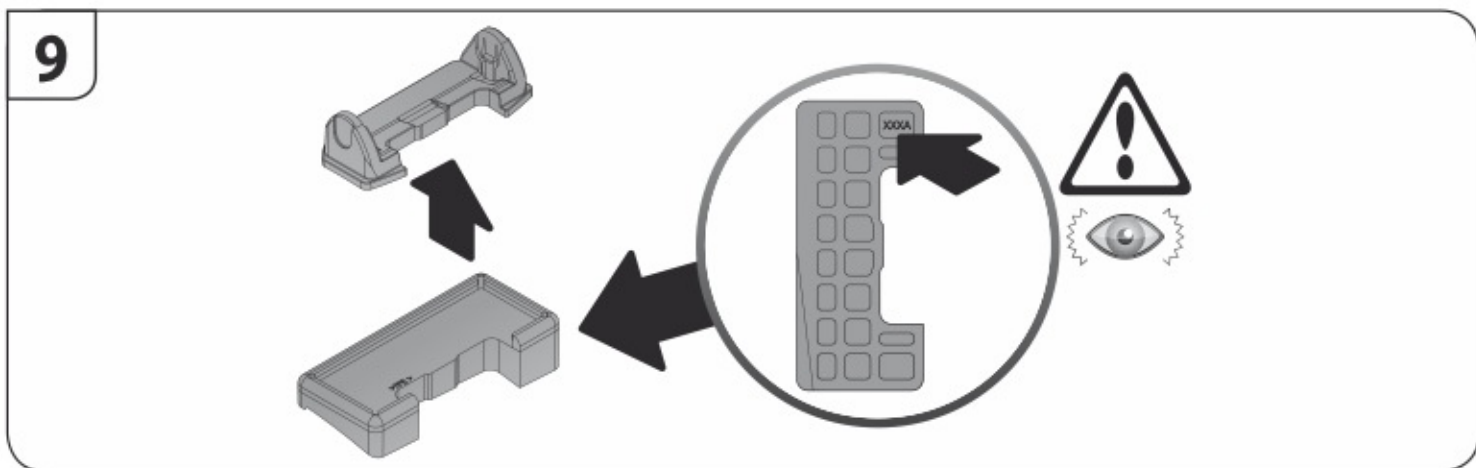
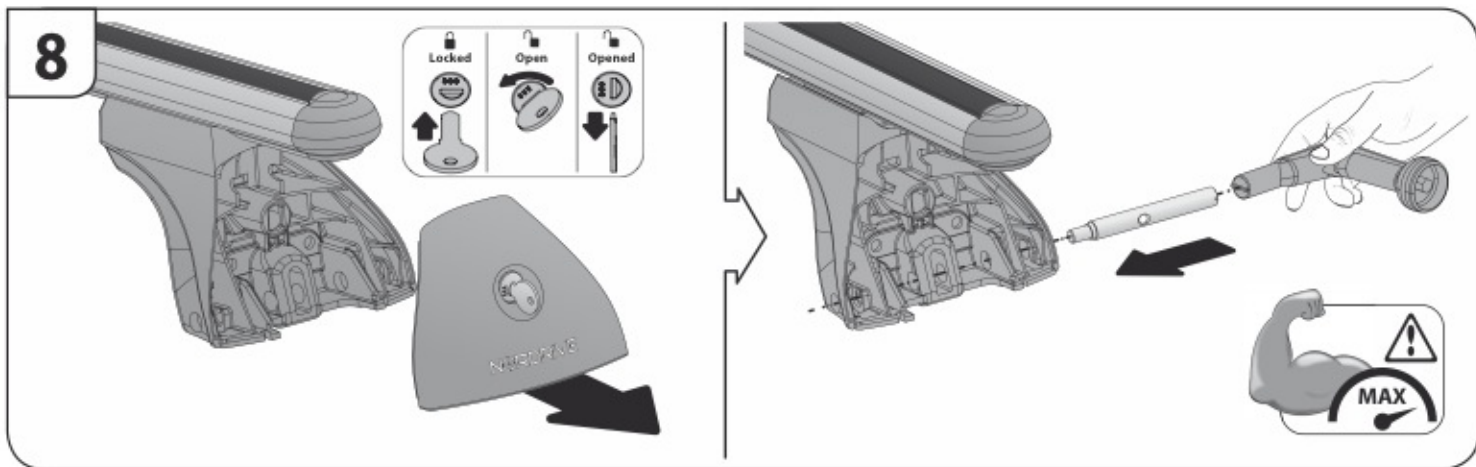


6



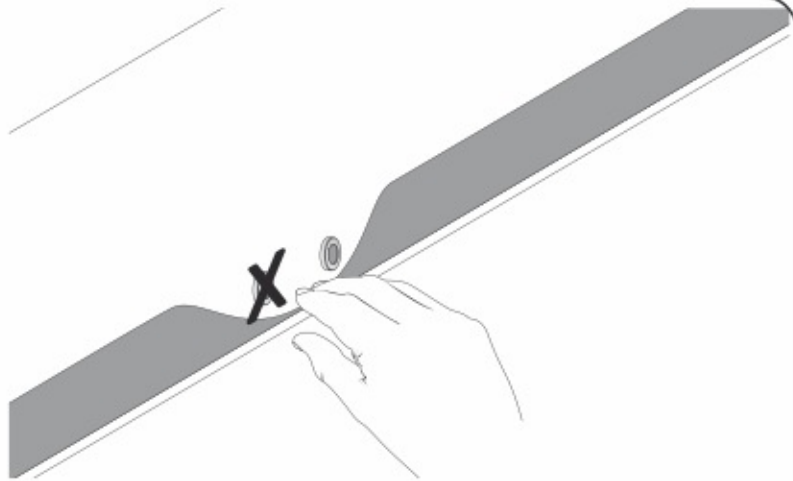
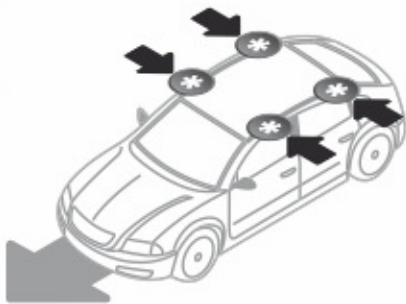
7





11A

DACIA
SANDERO

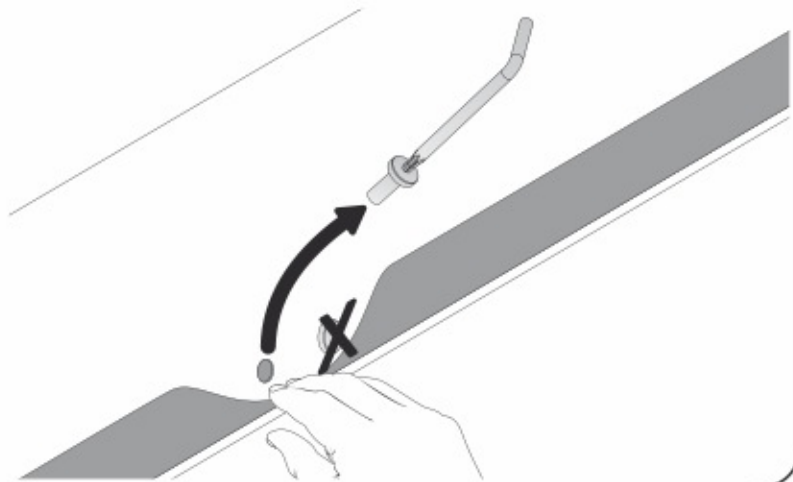
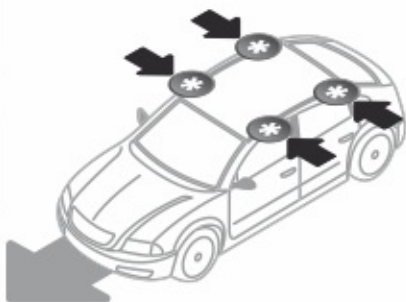


11B

RENAULT
CLIO

5

RENAULT
MODUS

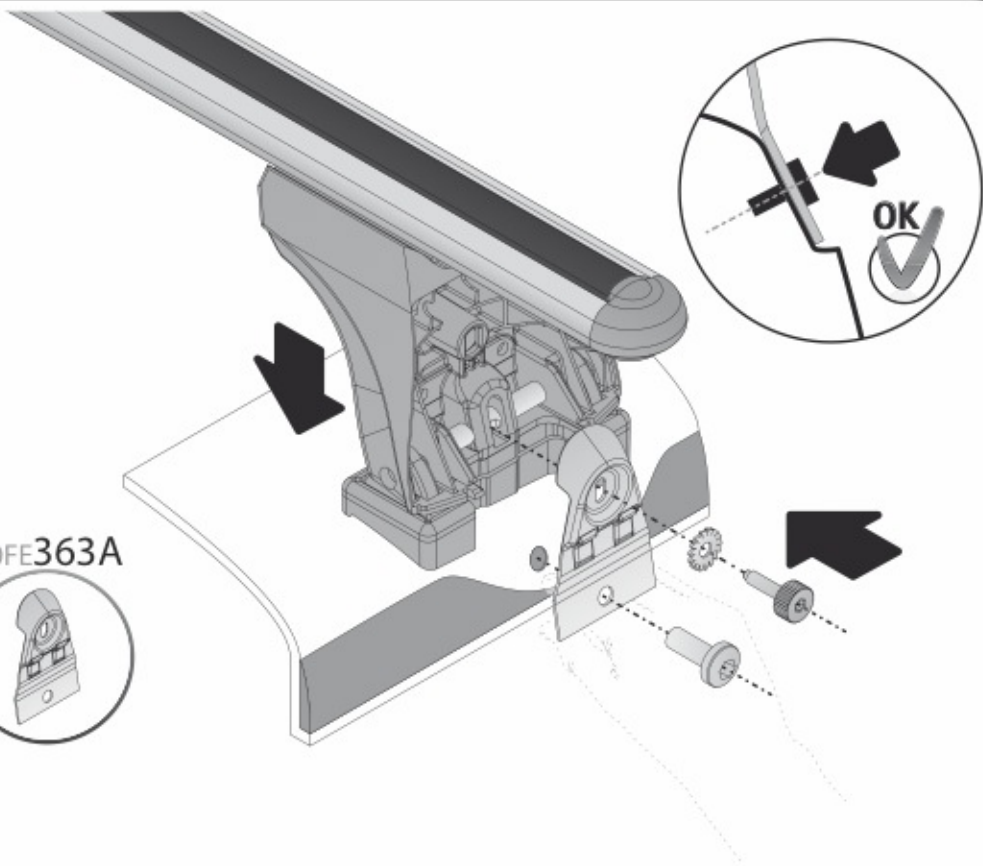


12

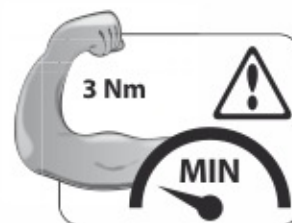
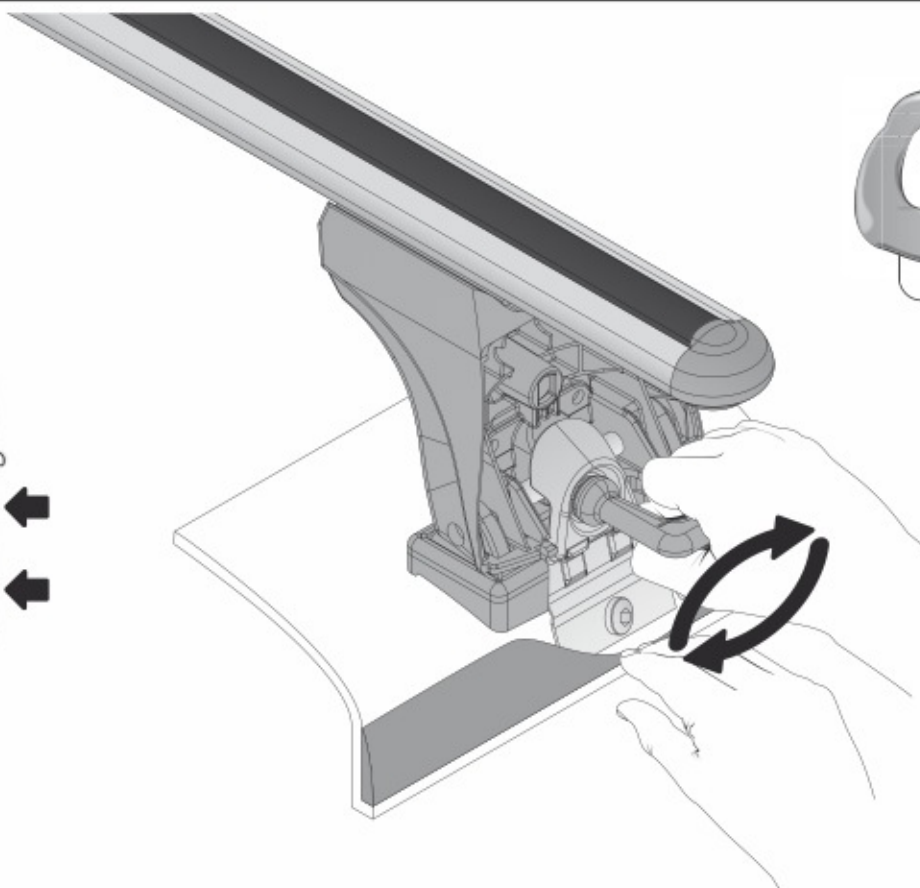
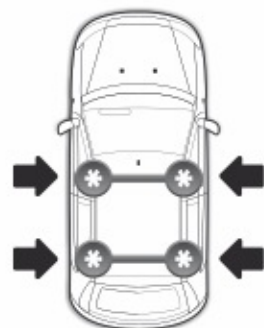
40FE363A



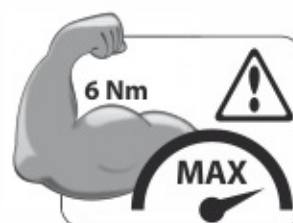
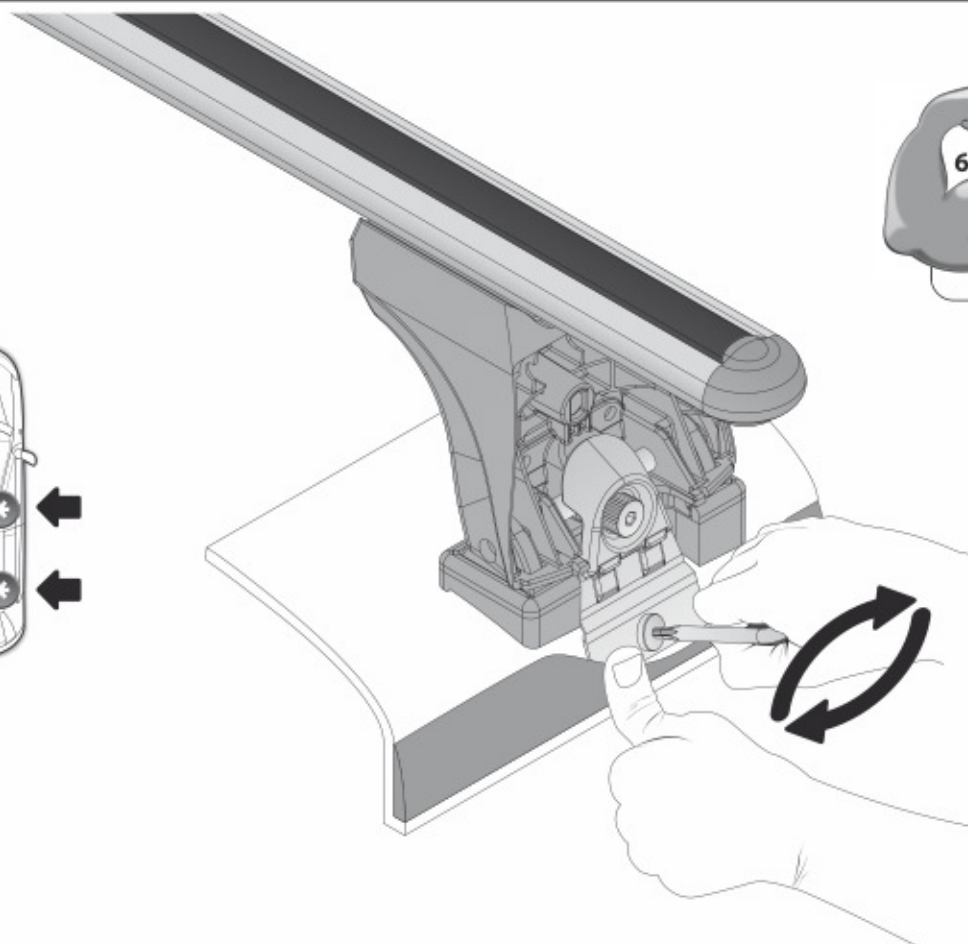
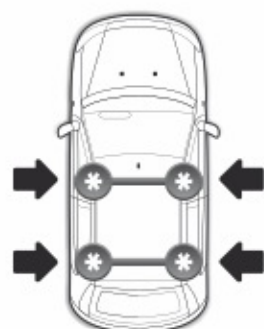
40FE363A



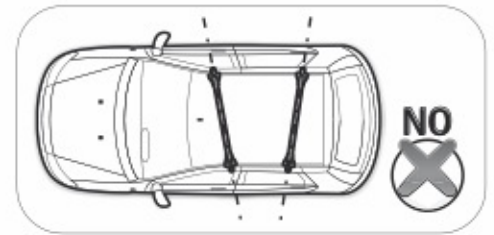
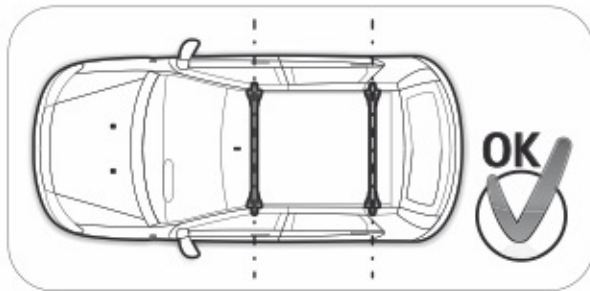
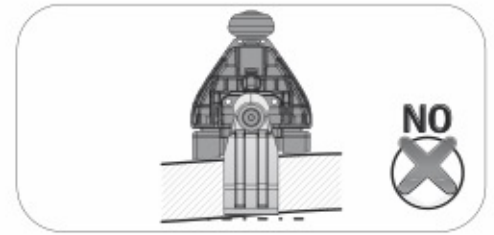
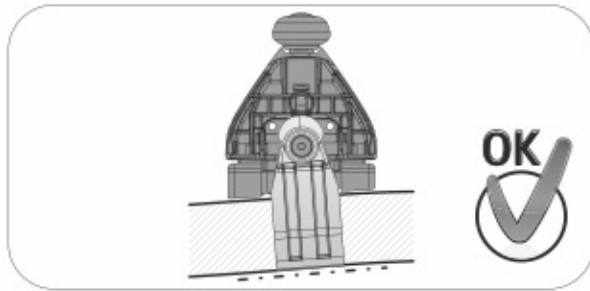
13



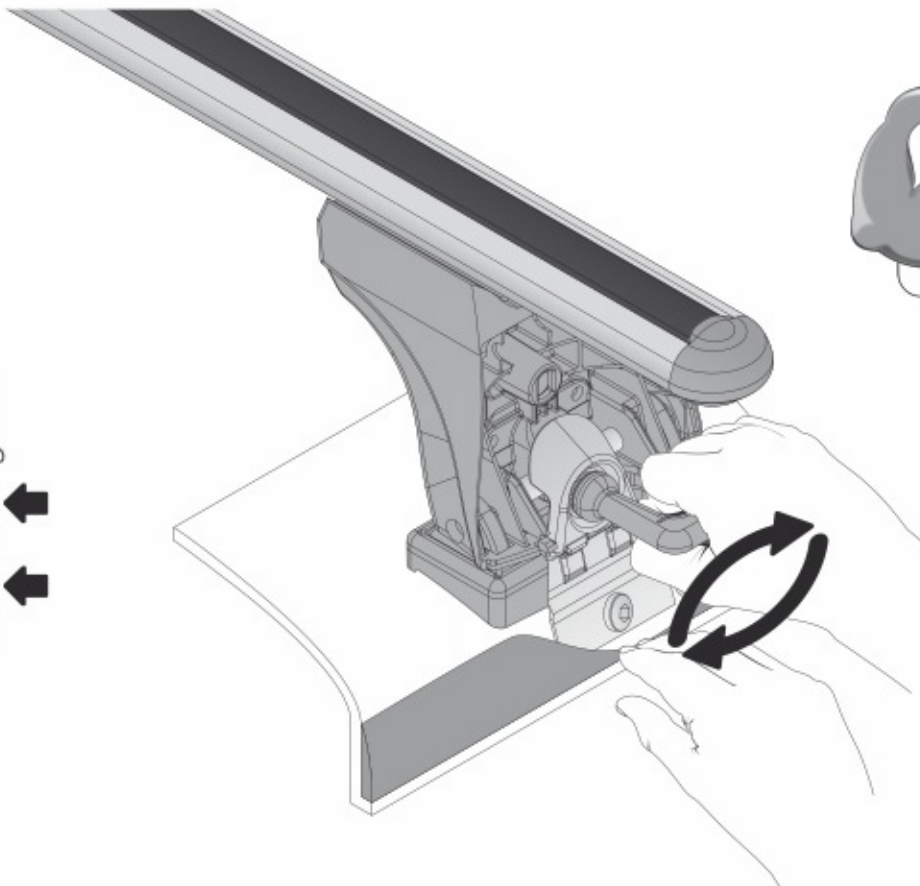
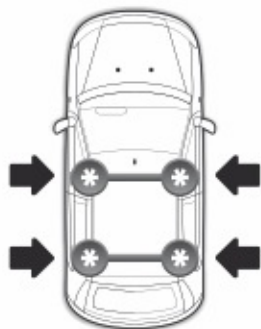
14



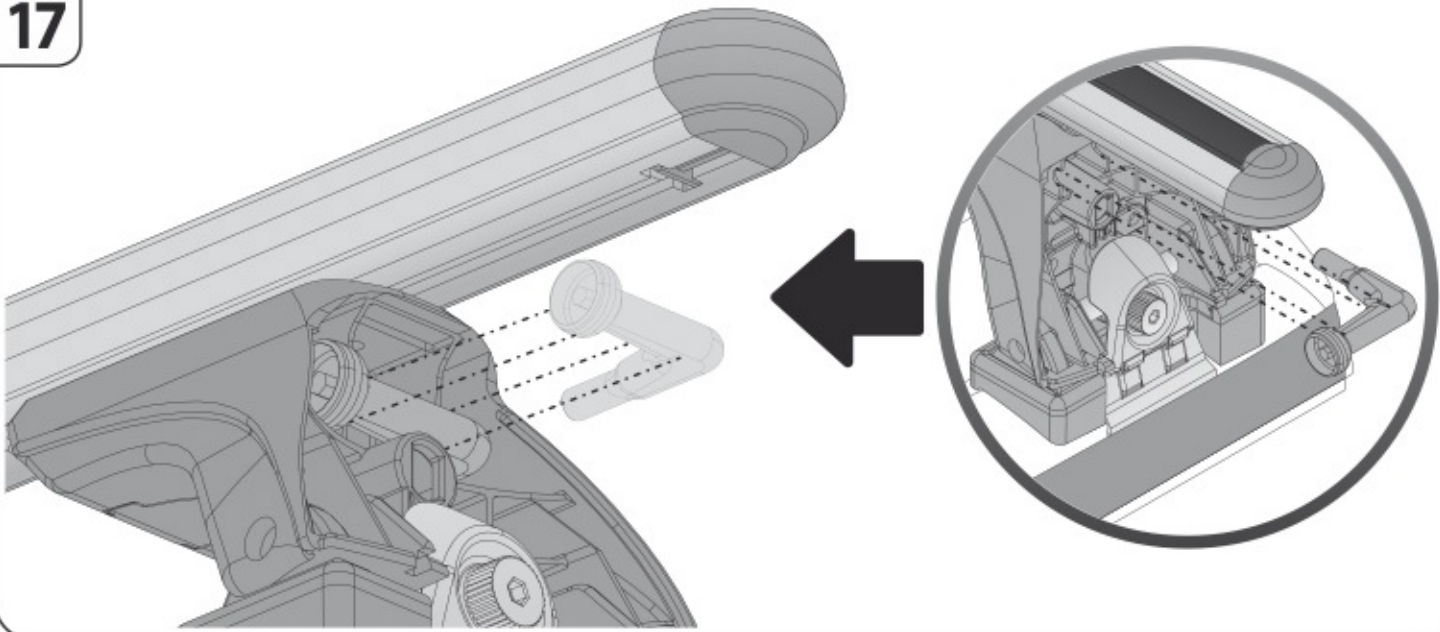
15



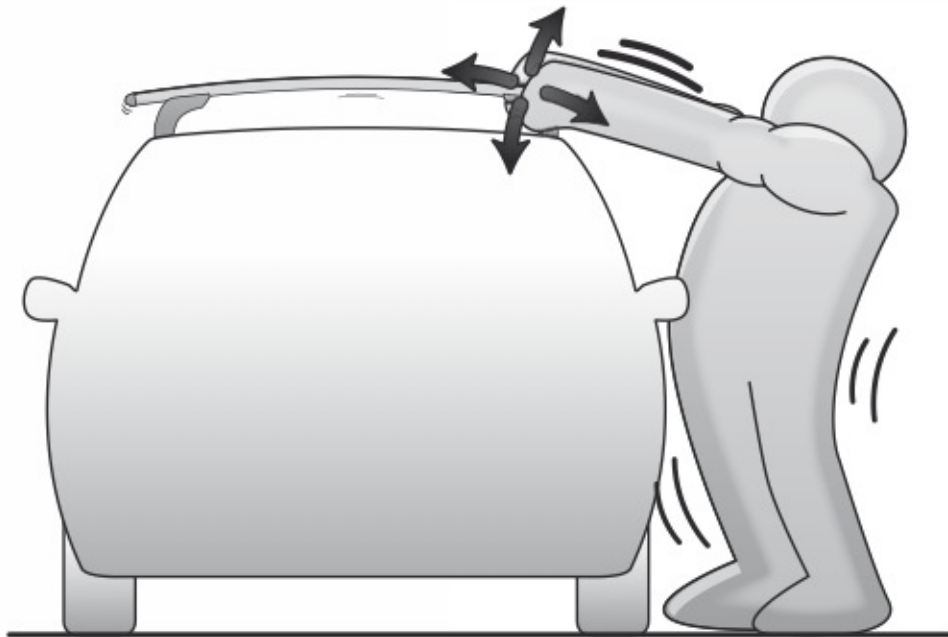
16



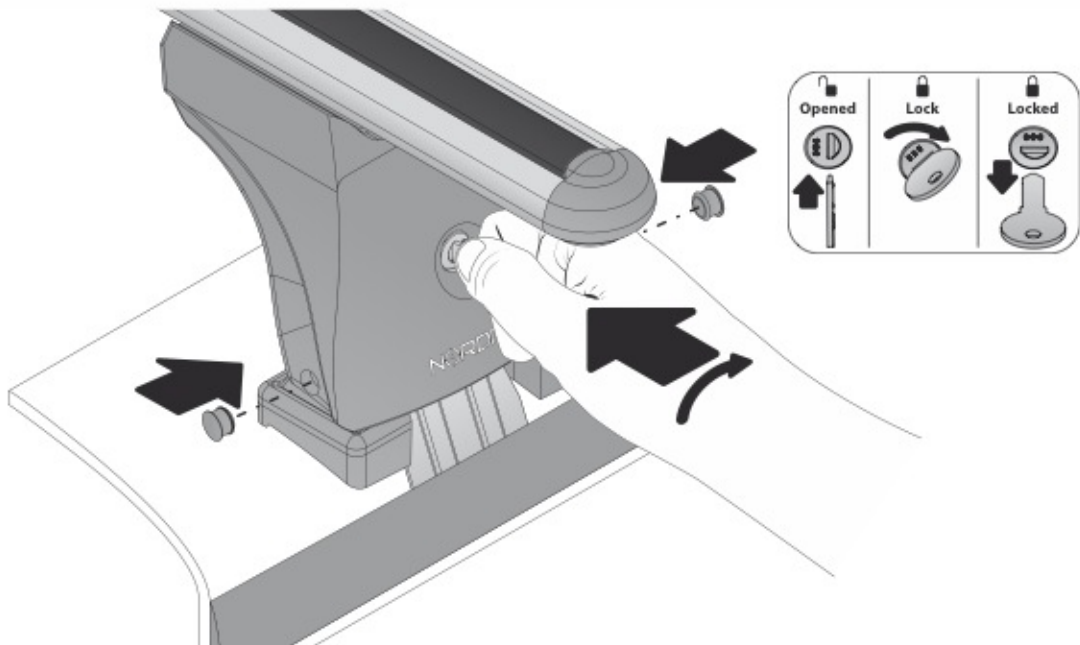
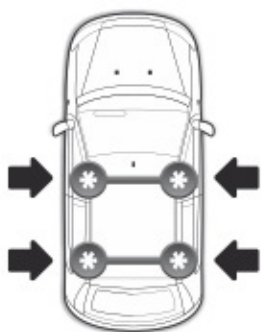
17



18



19



EVOS

NORDRIVE[®]
TRANSPORT SOLUTIONS

is a registered trade mark of

LAMPA S.p.A.

Via G. Rossa 53/55, 46019 Viadana (MN) ITALY

Tel. +39 0375 820700

UNI EN ISO 9001:2008 Certified Company

www.nordrive.it

www.lampa.it